



# INSTALLATION GUIDELINES BOARD 'N BATTEN VERTICAL VINYL SIDING

## IMPORTANT INFORMATION BEFORE YOU BEGIN

Installation procedures are similar to horizontal vinyl siding. This document is to assist with instructions for key differences.

- **IMPORTANT!** Vertical siding panels and all accessories require space for expansion at both top and bottom, with more expansion in the downward direction. **EVERY** panel to be placed with a  $\frac{1}{4}$ " offset from the top and  $\frac{3}{8}$ " offset from the bottom. Be sure to deduct the cut backs from measurements.
- **IMPORTANT!** All vertical siding panels and accessories are to be fastened by placing a nail, staple or screw in the uppermost end of the top slot with all other fasteners to be placed in the center of the slot, every 8" to 12" apart.
- If temperatures are under 40°F, you must add  $\frac{1}{8}$ " to each cut back measurements mentioned above.
- Please refer to the VSI manual for the basic installation procedures for Vertical Siding and Accessories. The VSI manual can be found at <https://www.vinylsiding.org/installation/installation-manual/> or you can scan the Quick Reference Code shown by using your QR Code Scanner App. No QR code scanner app? Visit your phone's app store to find a free app.



Read these instructions carefully before starting installation. Our warranty does not cover damages resulting from improper installation.

---

## A. PREPARATION

1

Substrate should be rigid and level.

- Horizontal solid wood furring strips or solid nailable sheathing will be required in new construction using rigid foam or fiber sheathing. The horizontal furring strips will be required in all installations applied over existing siding to create a level surface. Position furring strips every 8" to 12" on center.

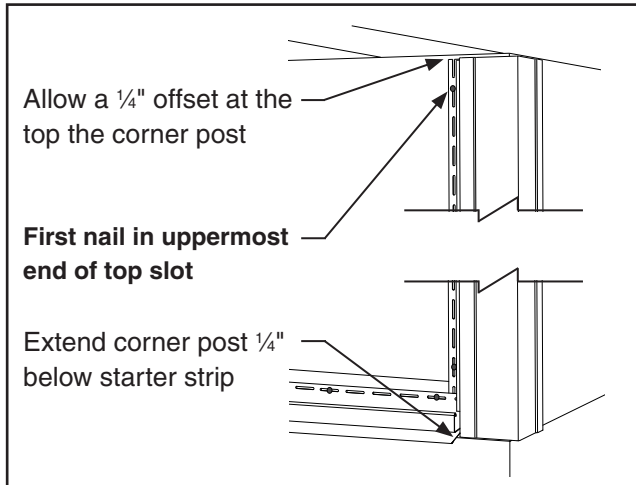
**Note:** In high wind regions, check your local building code for spacing requirements.

2

Establish a starting base line.

- Establish the base line by snapping a level chalk line 1" below lowest point of the substrate. Install J-channel and/or flashing along chalk line as a starter course.

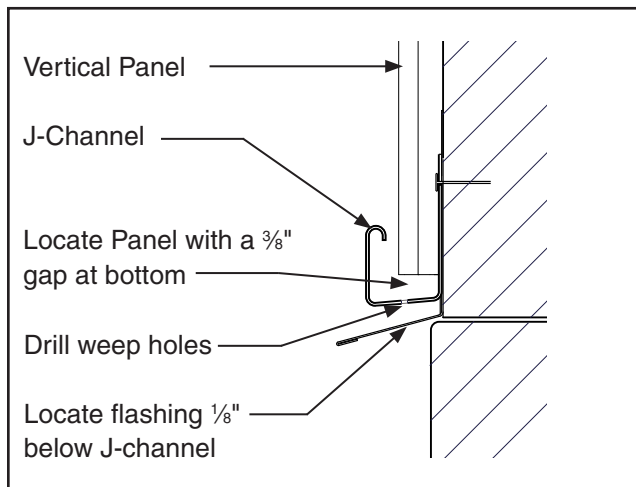
## B. ACCESSORIES



1

### Installation of corner post.

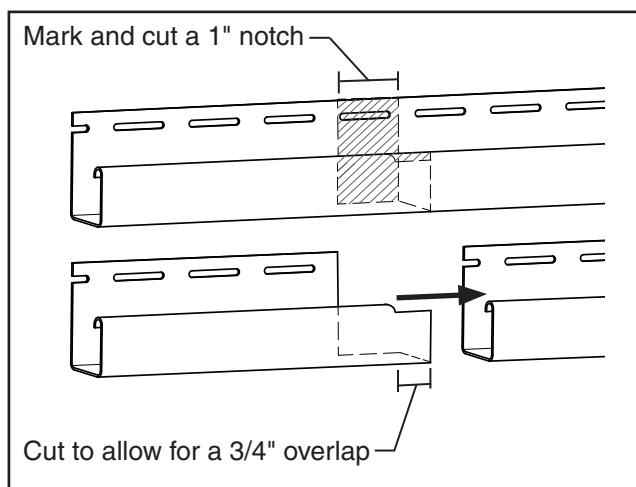
- The corner post must be cut and installed to allow for a  $\frac{1}{4}$ " offset at the top and with a  $\frac{1}{4}$ " extension below the starter strip. This is to allow for expansion and contraction.
- **The first fastener should be placed in the uppermost end of the top nail slot. All other fasteners are placed in the center of the slot, every 8" to 12" apart.**
- **Important!** Do not fasten nail tightly to substrate. It is critical for the corner post to move.



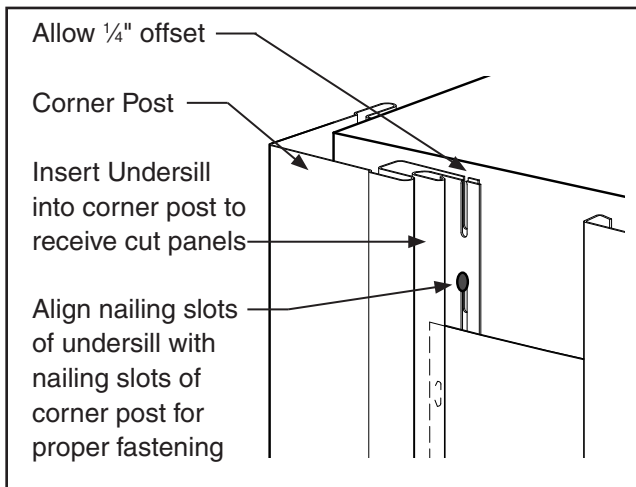
2

### Installation of J-channel.

- Flashing is required behind the J-channel horizontal starter course, leaving a  $\frac{1}{8}$ " offset between bottom of J-channel and flashing. Install the J-channel with flashing along the chalk line previously established.
- To continue the J-channel horizontal starter course, the J-channel will be notched to create an overlap. Trim the nailing flange back 1" and notch as shown in illustration. The adjoining pieces should only overlap by  $\frac{3}{4}$ " to allow for horizontal expansion.
- The J-channel starter course will need to be cut back to allow a  $\frac{1}{4}$ " offset at each corner post to allow for horizontal expansion.
- Fasten every 8" to 12", using the center of the nail slots. Do not fully tighten.
- **Important!** J-channel starter course is to be drilled with  $\frac{3}{16}$ " weep holes every 12" to 24" in the bottom edge of the J-channel to allow for water drainage.
- Install J-channel at the top of all walls. **Fasten every 8" to 12" using the center of the nail slots, allowing for horizontal movement of the vinyl.** Create J-channel overlap where needed, following the same procedure shown in illustration.



## B. ACCESSORIES (CONTINUED)

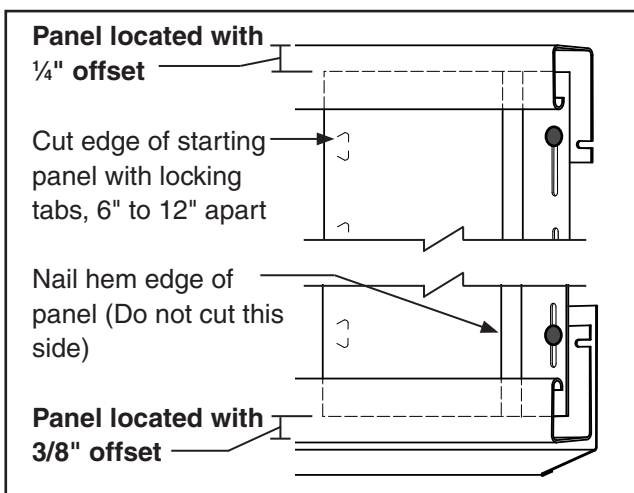


3

### Installation of undersill.

- Use undersill to start or end panels to be cut and installed at corner post or in J-channel.
- Insert and install a cut length piece of undersill into the corner post or J-channel. Follow the guidelines for placement and fastening as stated in Step 2, 'Installation of J-channel', page 2 to allow for proper expansion.

## C. PANELS



1

### Installation of vertical panels.

- Panel should always start at a corner.
- Cut length of panel. Determine overall panel height needed, then subtract for cut backs. **Each panel is required to be placed with a 1/4" offset from the top J-channel and 3/8" offset from the bottom J-channel starter course to allow for expansion and contraction.**

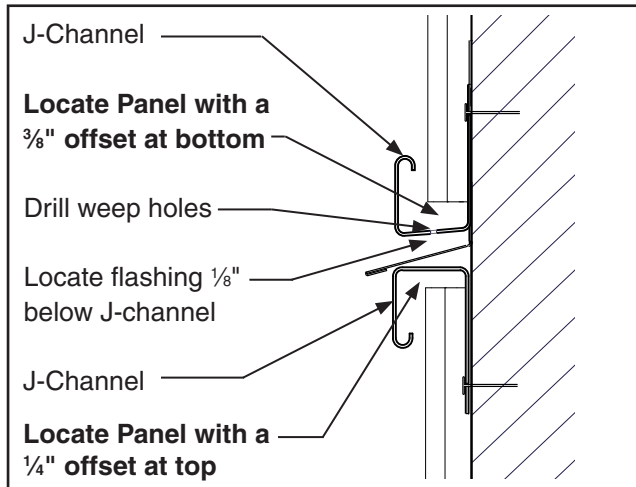
**Note:** If no J-channel starter course is used, panels will still require a 3/8" offset at the bottom to allow for any downward expansion.



**Important!** It is critical for all vertical panels to be fastened as noted, **the first fastener is placed in the uppermost end of the top nail slot with all other fasteners placed in the center of the slot.** This practice will allow for expansion in the downward direction, eliminating the risk of panels warping.

- Cut width of panel. Marking a cut line by measuring from the nail hem edge. Do not cut off the nail hem. Use a snap lock punch to create locking tabs along the cut edge, every 6" to 12".
- Insert the punched edge into the undersill. Position panel with the required top and bottom offsets. Use a level to ensure panels are plumb. Fasten nail slot side of panel with the **first fastener placed in the uppermost end of the top nail slot. All other fasteners are placed in the center of the slot, every 8" to 12" apart.**

## D. STACKING COURSES



1

Transition strip between courses.

- A second course will be required for heights over 120". A transition strip is created by installing (2) strips of J-channel back to back with flashing between. Refer to illustration shown.
- **Important!** Leave the required  $\frac{1}{8}$ " offset between bottom of J-channel and flashing as previously done.