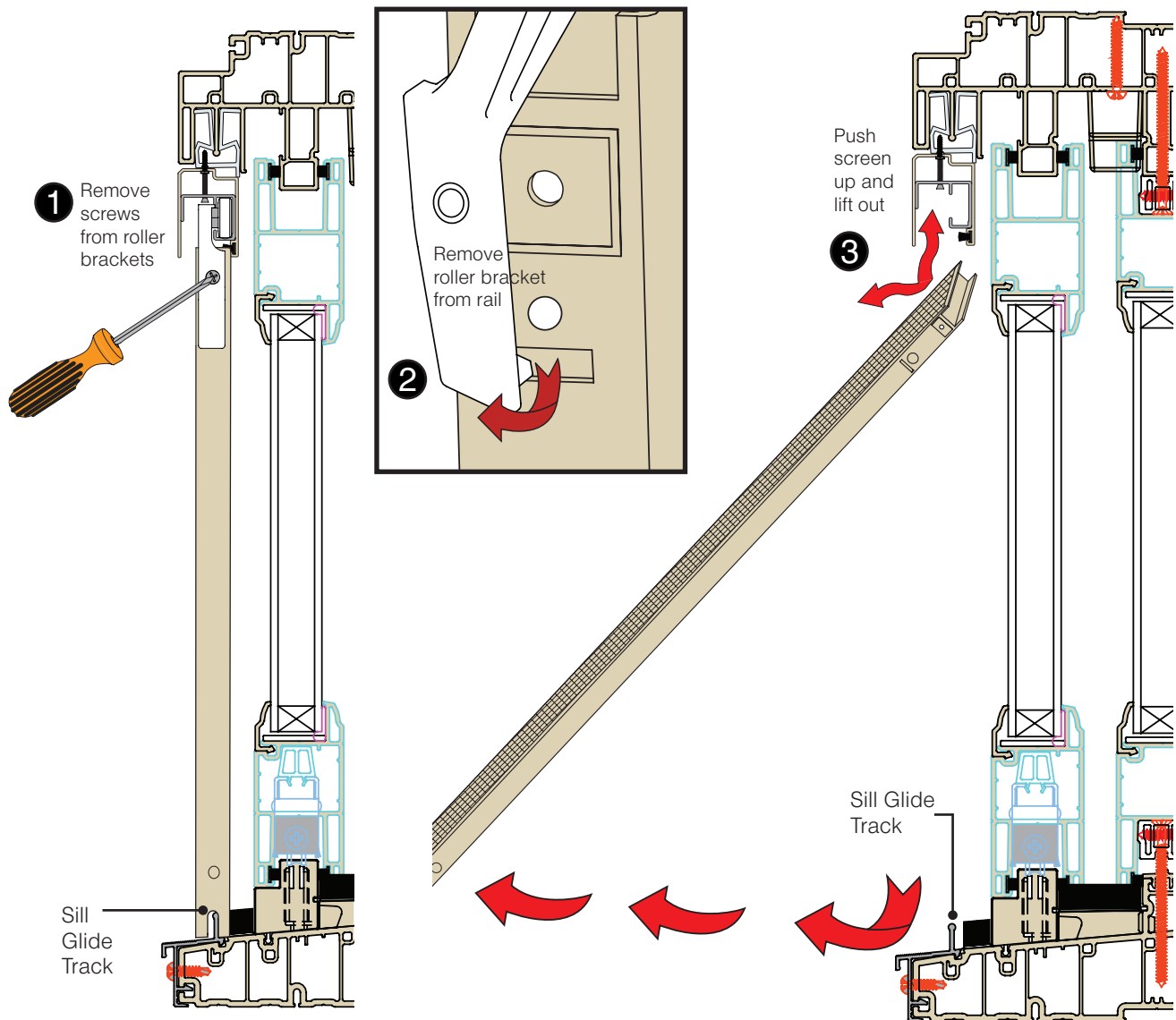




PATIO DOOR SCREEN REPLACEMENT INSTRUCTIONS

REMEMBER: ALWAYS USE THE APPROPRIATE PERSONAL PROTECTIVE EQUIPMENT.

1 REMOVE OLD SCREEN



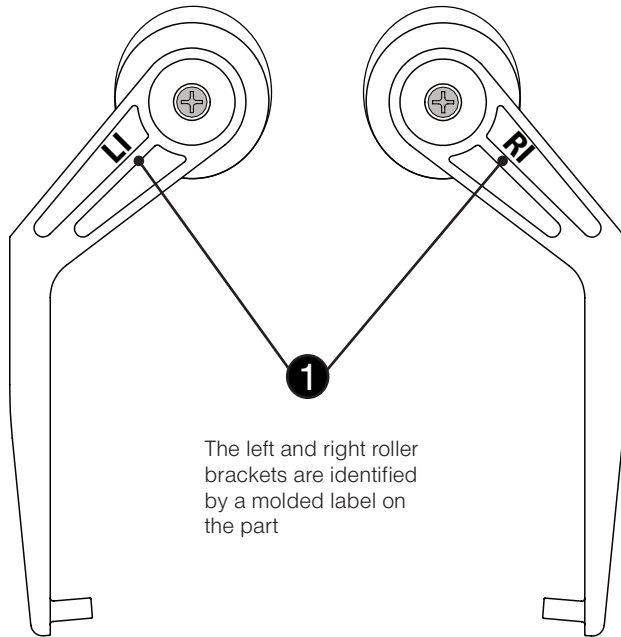
Step 1- Locate roller brackets (left & right sides) at top portion of screen. Using a #2 Phillips Head Screwdriver remove screws from roller brackets.

Step 2- Remove roller brackets from groove by pulling brackets outward from screen rail.

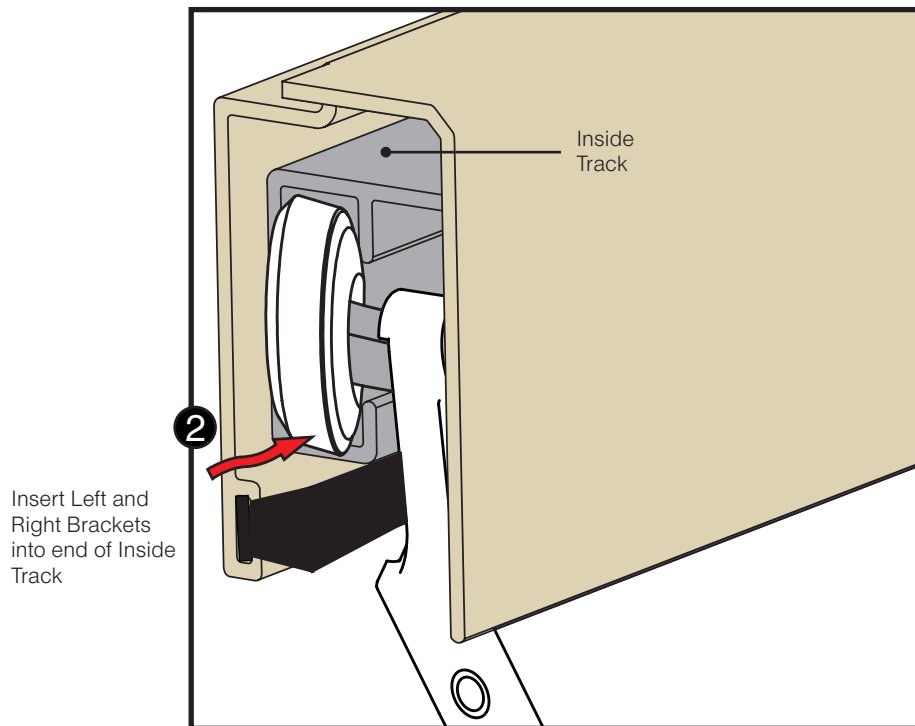
Step 3- Push screen up and lift out, so bottom of screen clears the sill glide track.

If roller brackets are undamaged, they can remain on the inside track for ease of re-installing new screen skip to **Procedure 3**. If roller brackets are damaged and need replaced, see **Procedure 2** for Roller Bracket replacement.

2 **INSTALL ROLLER BRACKETS**

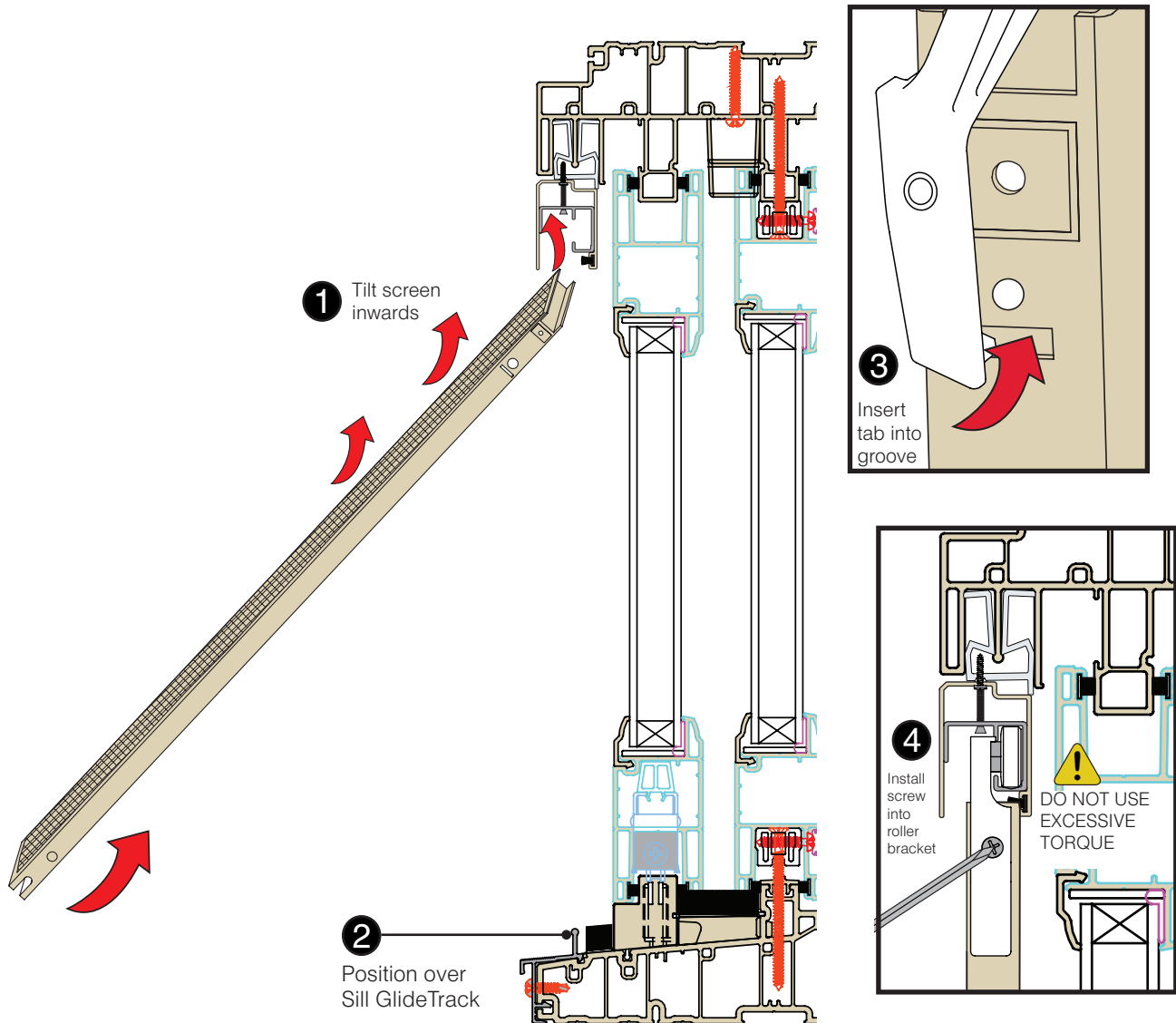


Step 1 - Locate roller bracket package. Brackets will have hand designation molded into the part as shown. Sides determined from outside looking in.



Step 2 - Insert LEFT roller bracket into LEFT end of inner track. Follow same procedure for RIGHT roller bracket.

3 INSTALLING NEW SCREEN



Step 1- Position top of screen inwards into the top track assembly between roller brackets.

Step 2- Lift screen and position bottom of screen over the sill glide track.

Step 3- Move brackets to each side of screen. Insert bottom tab portion of roller bracket into groove .

Step 4- Attach roller brackets (one at left and right side) at top portion of the screen using a #2 Phillips Head Screwdriver and #6-32 x 7/8" Phillips Flathead screws. **Important!** Do not use excessive torque on bracket screws.



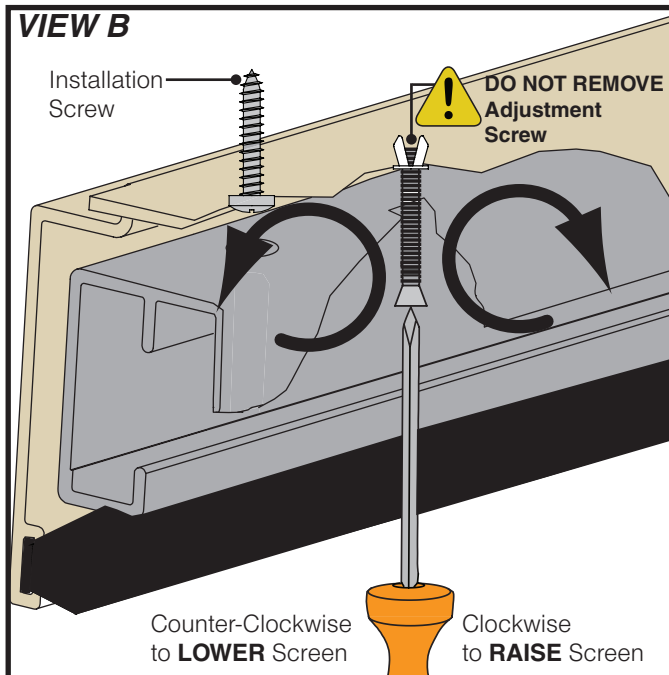
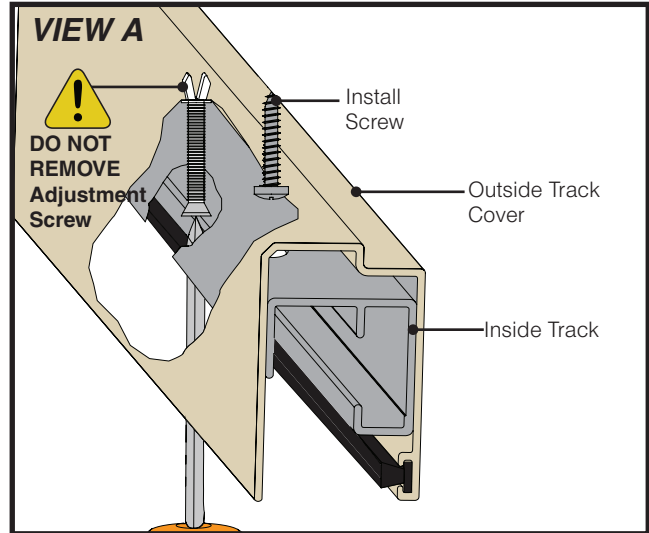
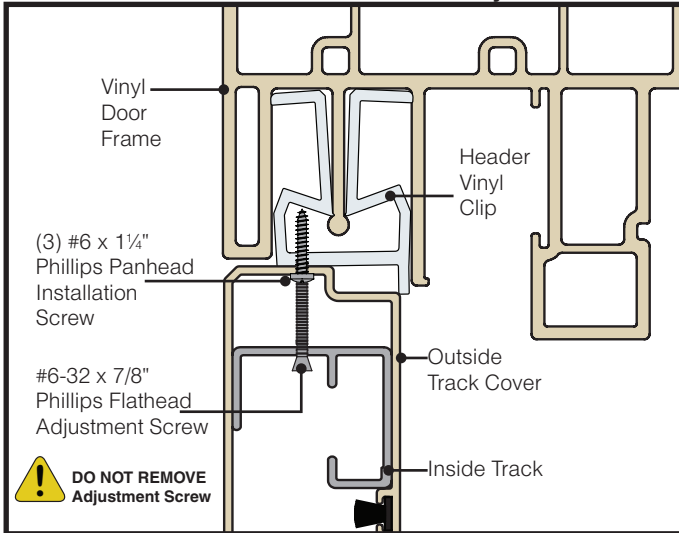
NOTE: If it is difficult to attach screen to brackets, refer to **Procedure 4**, "Adjustment of Screen" and raise the inside track.

4 SCREEN ADJUSTMENTS



Important! DO NOT USE a power drill to make adjustments - doing so will cause excessive torquing of the adjustment screws. Only use a #2 Phillips Head Screwdriver.

Screen Track Assembly



Adjustments to screen can be made by inserting a #2 Phillips Head screwdriver into each adjustment screw. **Note:** There are 3-6 adjustment screws evenly spaced in the inside track (depending on width of unit). **DO NOT REMOVE** adjustment screws.

Adjust left and right sides of screen until sides are parallel to the jambs.



Each complete turn of the screw will raise or lower the track by 1/32"

1. Turn adjustment screw clockwise to **RAISE** screen from threshold.
2. Turn adjustment screw counter-clockwise to **LOWER** screen onto threshold.