



INSTALLATION INSTRUCTIONS REPLACING BOTTOM SWEEPS

IMPORTANT INFORMATION BEFORE YOU BEGIN

This document addresses the replacement of (3) different types of bottom sweeps. The type of bottom sweep required is dependent on the existing door's make and/or model. Refer to the corresponding section for the steps required.

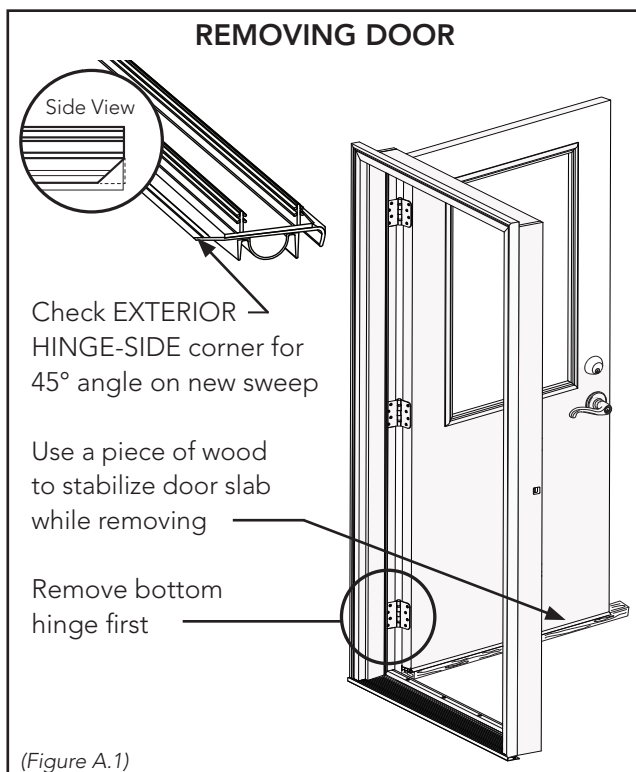
BOTTOM SWEEP TYPES:

- Notched Kerf Sweep for Fiberglass Entry Doors
- Full Kerf Sweep for 20 Gauge Steel Entry Doors
- Adhesive Sweep for 24 Gauge Steel Entry Doors
- Adhesive Sweep for Fire Rated Entry Doors



Read these instructions carefully before starting installation. Product warranty does not cover damages resulting from improper installation.

A. REMOVE EXISTING DOOR BOTTOM SWEEP



1

Open door slab all the way. Place a piece of wood block under door for stability.

2

Remove door from jamb by first removing the bottom hinge, followed by middle and then top hinge. (Figure A.1)

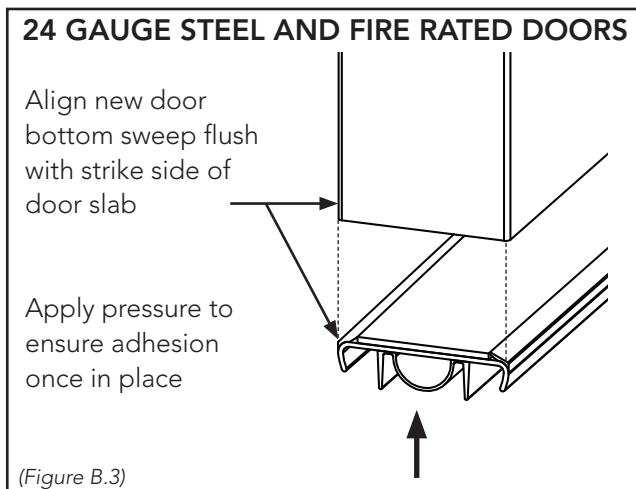
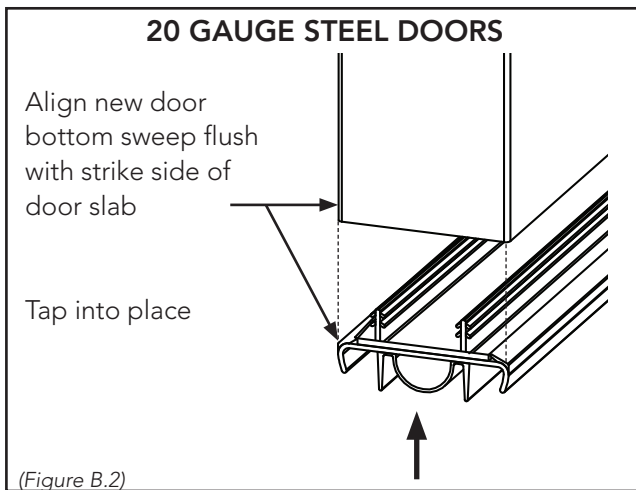
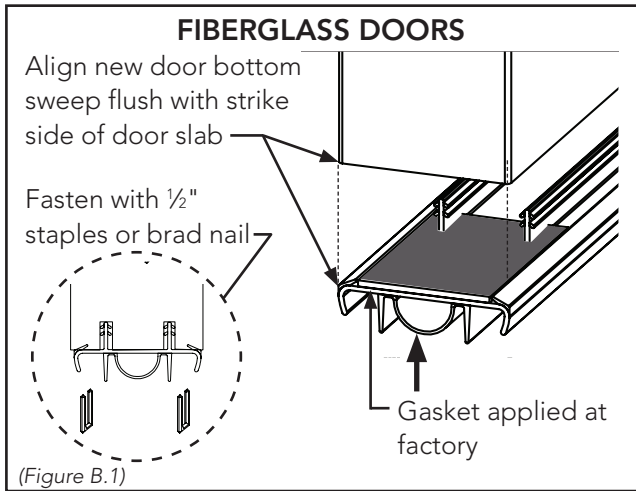
3

Be sure to lay door on a clean flat surface. Remove existing bottom sweep.

4

Check new bottom sweep to make sure the **EXTERIOR HINGE-SIDE CORNER** (only) is factory cut to a 45° angle. If outside sweep corner is not angled, cut at this time. (Figure A.1)

B. DOOR BOTTOM SWEEP REPLACEMENT



For Fiberglass Doors:

5

Align new door bottom sweep flush with the strike side of door slab. Insert kerf legs into slots of door, gently tap into place by hand. (Figure B.1)



DO NOT use a hammer or rubber mallet to tap sweep into place. This will result in damage to the rigid ramps of sweep.

6

Fasten the door bottom with (2) ½" staples or brad nails at each end of door panel, between the rigid ramp and flex fins. Skip to Step 10. (Figure B.1)



If gaskets are not present, apply a bead of caulk to each end of sweep. Fasten as directed above.

For 20 Gauge Steel Doors:

7

Align new door bottom sweep flush with the strike side of the door slab. Kerf legs may need trimmed to allow for proper alignment. Insert kerf legs into slots of door, gently tap into place by hand. No adhesive, caulking, or staples required. Skip to Step 10. (Figure B.2)



DO NOT use a hammer or rubber mallet to tap sweep into place. This will result in damage to the rigid ramps of sweep.

For 24 Gauge Steel Doors & Fire Rated Doors:

8

Remove and clean any remaining tape or adhesive residue left by old sweep.

9

Remove backing to expose adhesive. Align new door bottom sweep in the center and flush with the strike side of door slab. Apply pressure to ensure adhesion. (Figure B.3)

10

Return door to upright position and place back onto wood block for stability. Align hinges and reinstall hinge screws.