

Norton®

Installation Instructions

80-9316-2502-020 (12-09)

Tri-Style 1600 Series

Non Handed Door Closer

Non Hold Open Models

Sized
(Sizes 2,3,4,5,6)

Adjustable
(Sizes 3 thru 6)

Weaker
↓
Stronger
+

1602BC
1603BC
1604BC
1605BC
1606BC

1601
(Sizes 1 thru 4)
1601BF

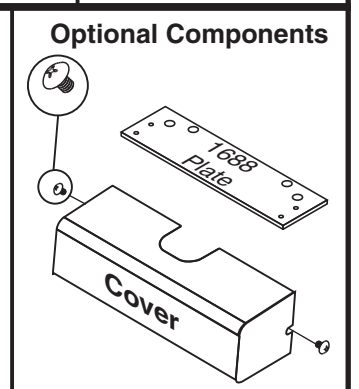
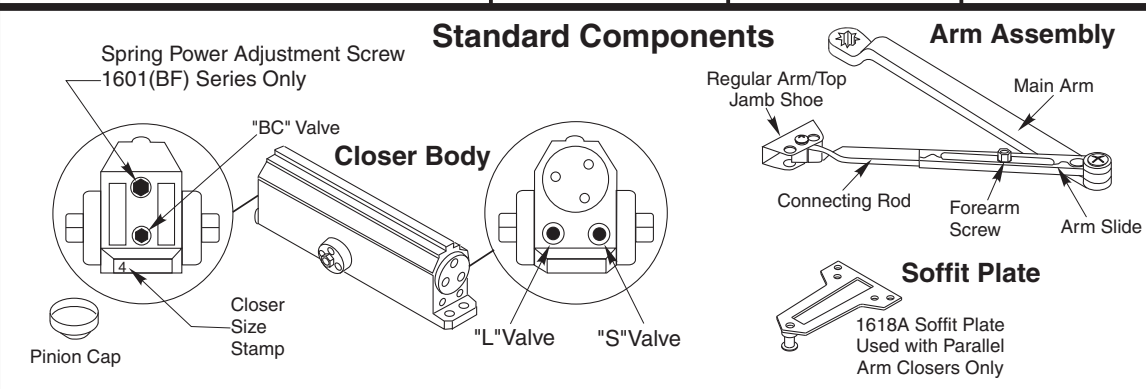
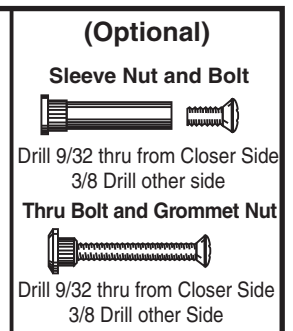
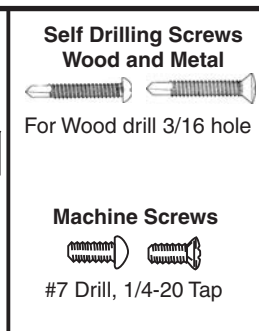
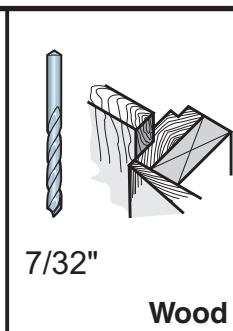
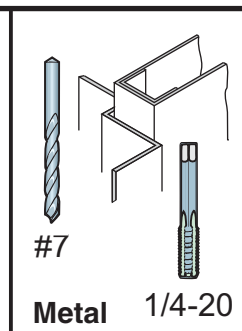
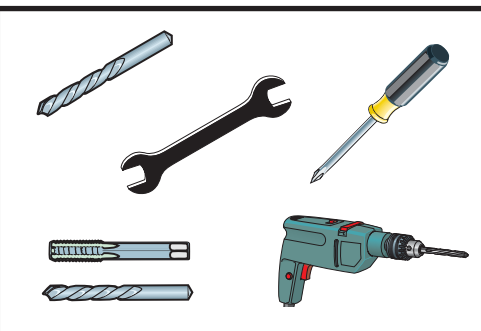
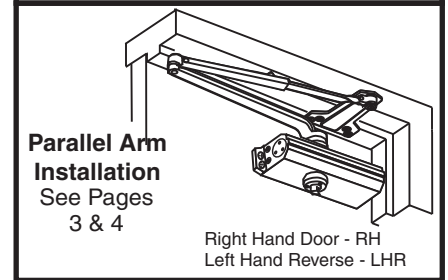
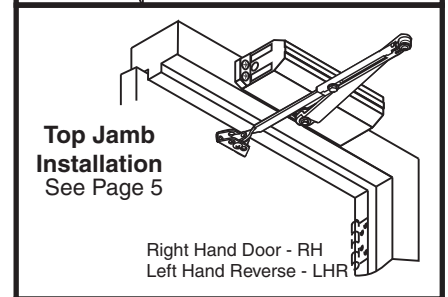
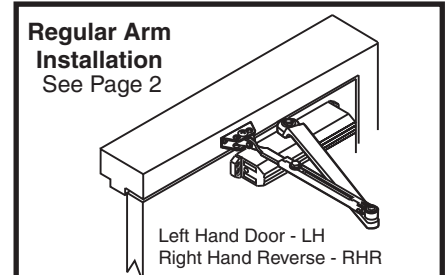
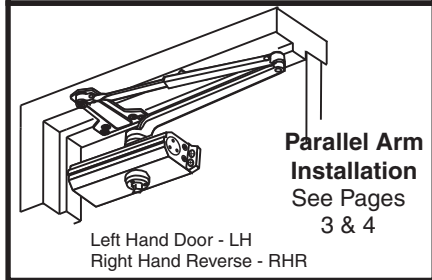
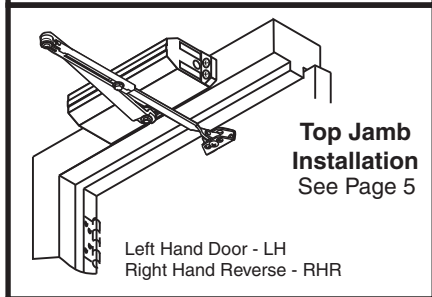
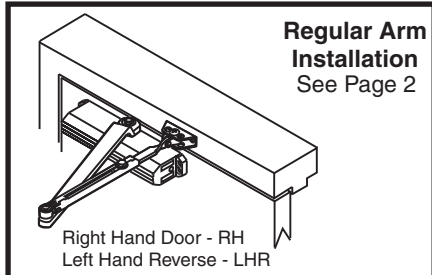


CAUTION An Incorrectly installed or improperly adjusted door closer can cause property damage or personal injury. These installation instructions should be followed to avoid the possibility of misapplication or misadjustment. **CAUTION**

"DA" suffix (Delayed Action) is an optional feature. A separate sheet is supplied showing closer adjustments.

NOTE: For special applications a separate door and frame preparation template is packed with these instructions. Use this instruction sheet for installation sequence and closer adjustments only.

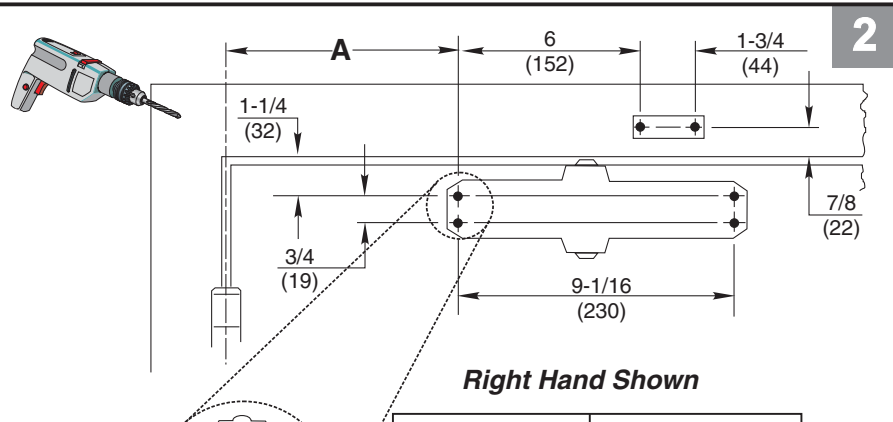
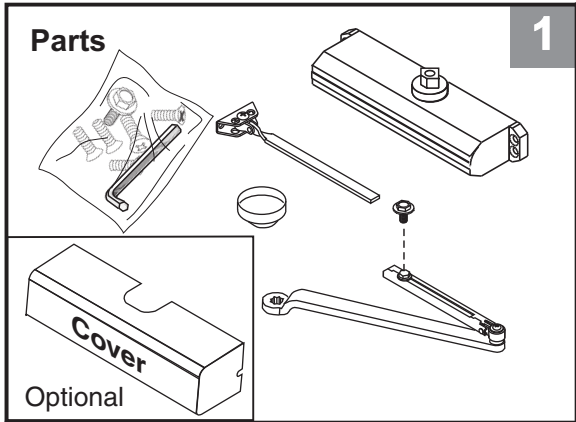
- Doors should be hung on ball bearing or anti-friction hinges.
- A separate door stop is recommended.
- Door and frame must be properly reinforced.
- Adjust closing time speed between 3 and 7 seconds from 90° to 0°.
- These door closers should NOT be installed on the exposed side (weather side) of exterior doors.



1600 Series

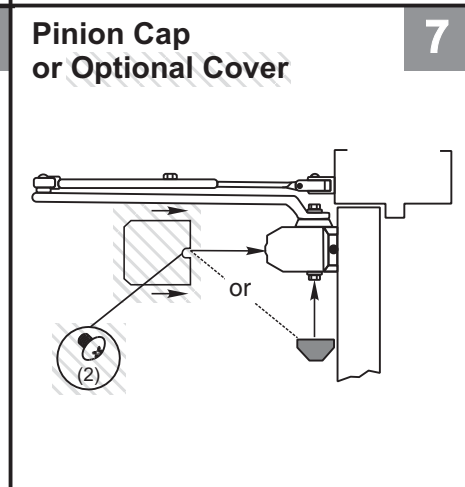
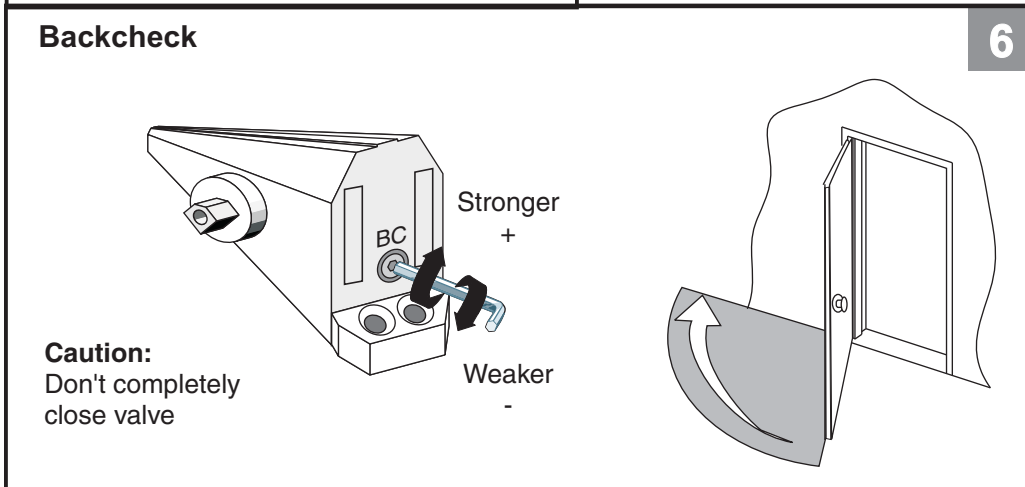
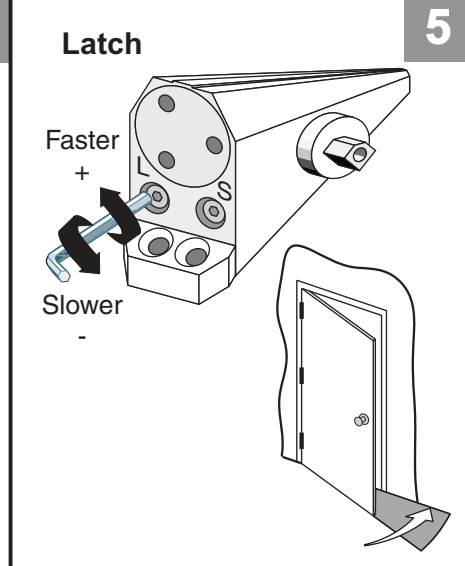
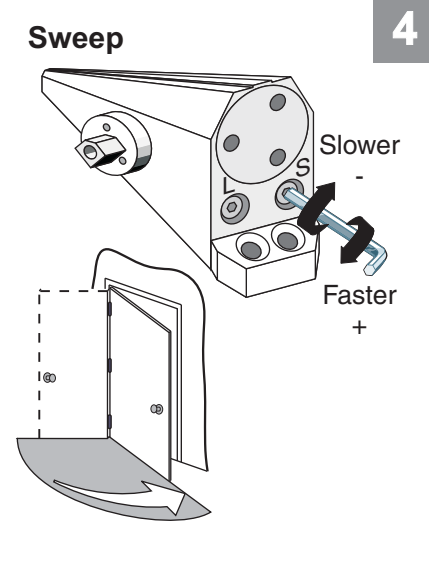
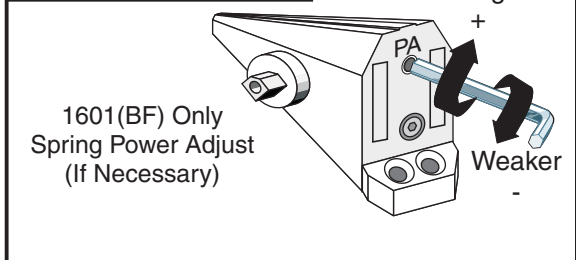
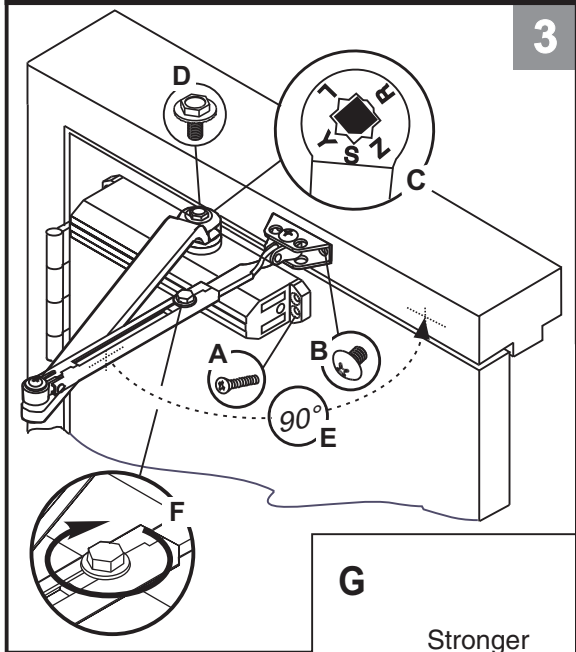
Non Hold Open Door Closers — Regular Arm

80-9316-2502-020 (12-09)



Opening	Dimension "A"	Inches (mm)
To 100°	$\frac{7}{(178)}$	
101° to 120°	$\frac{6}{(152)}$	
* 121° to 180°	$\frac{3-1/2}{(89)}$	

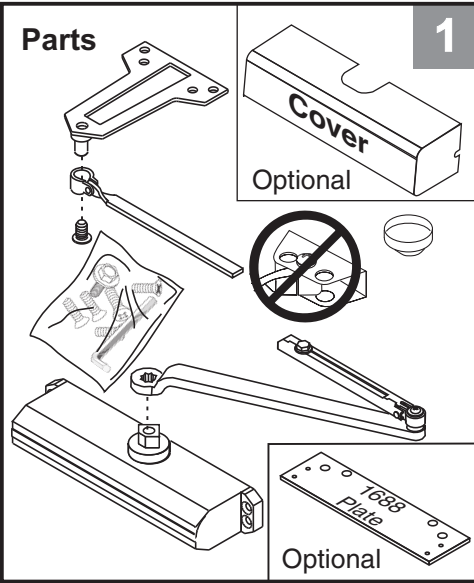
* Door/Wall/Hardware/Jamb conditions permitting



1600 Series

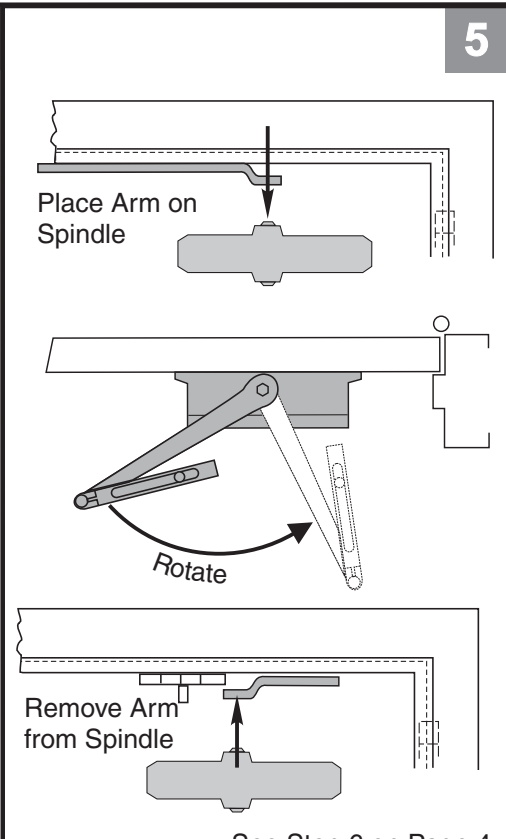
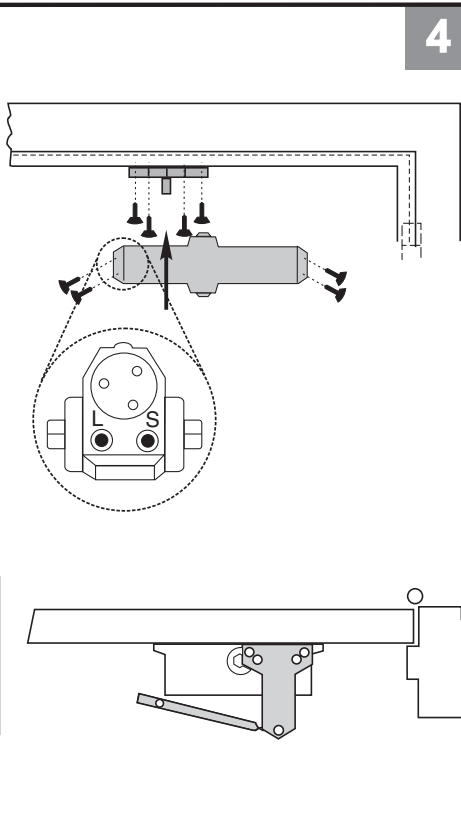
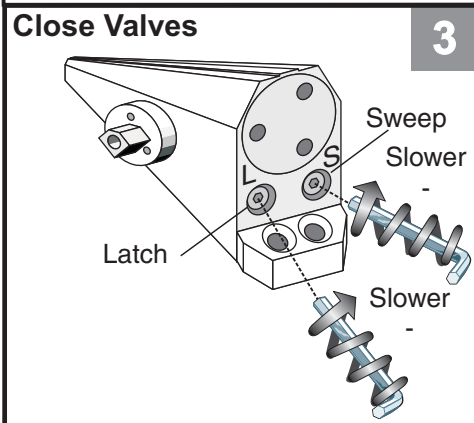
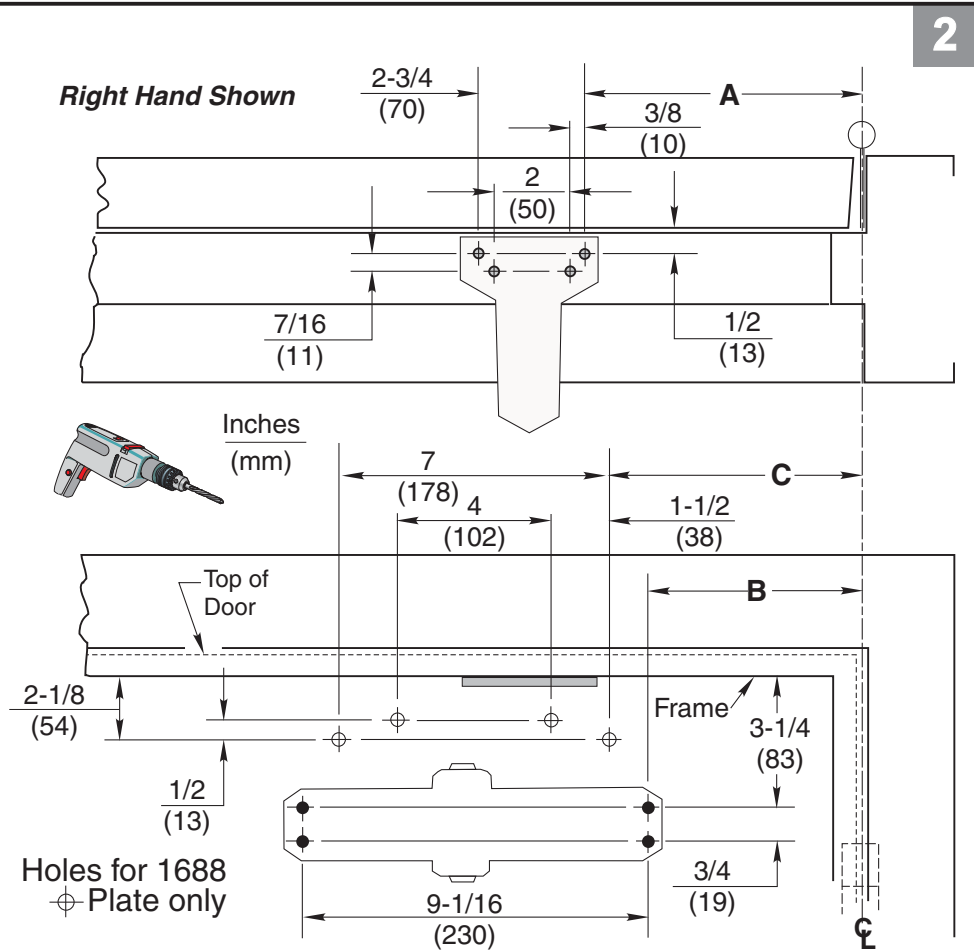
Non Hold Open Door Closers — Parallel Arm

80-9316-2502-020 (12-09)



Door Opening	A	B	C
To 100°	9-1/4 (235)	7-5/8 (194)	8-5/8 (219)
101° to 130°	7-3/4 (197)	6-1/8 (156)	7-1/8 (181)
*131° to 180°	5-3/4 (146)	4-1/8 (105)	5-1/8 (130)

* Door/Wall/Hardware/Jamb conditions permitting

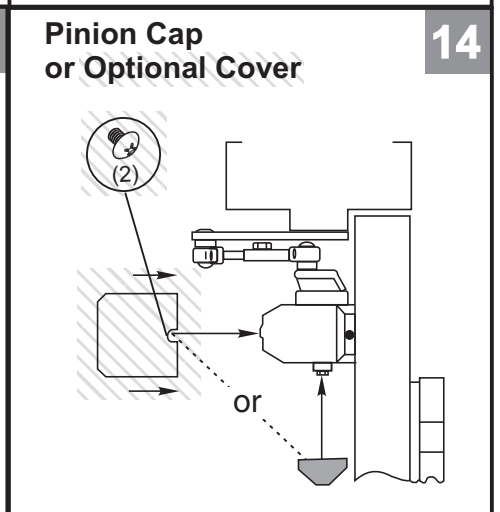
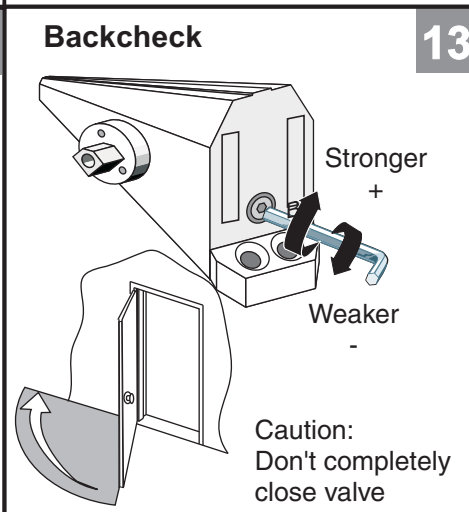
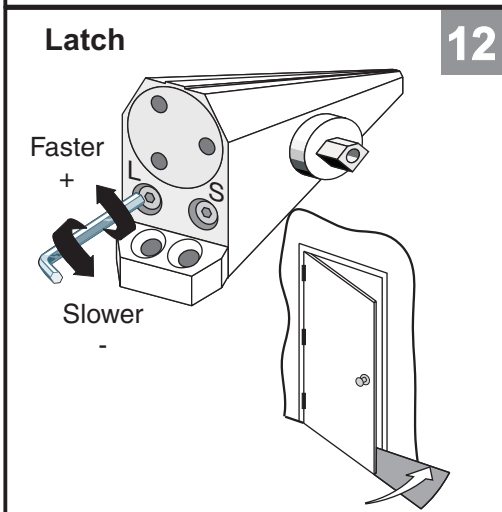
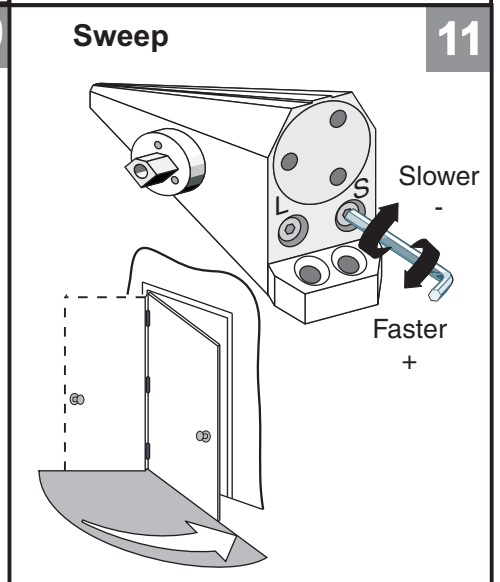
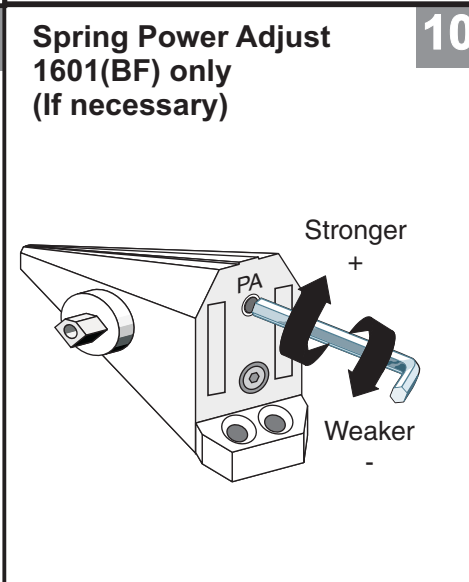
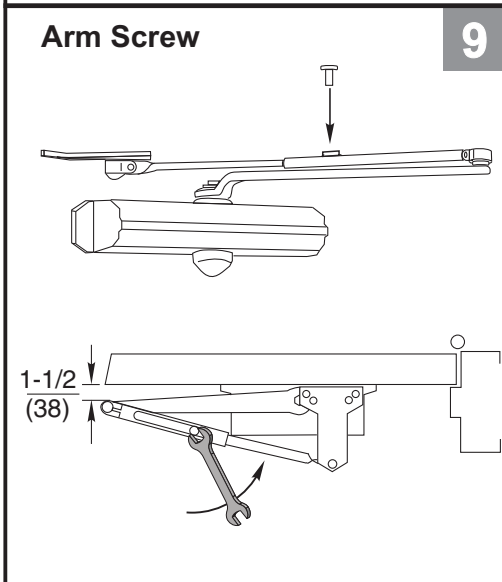
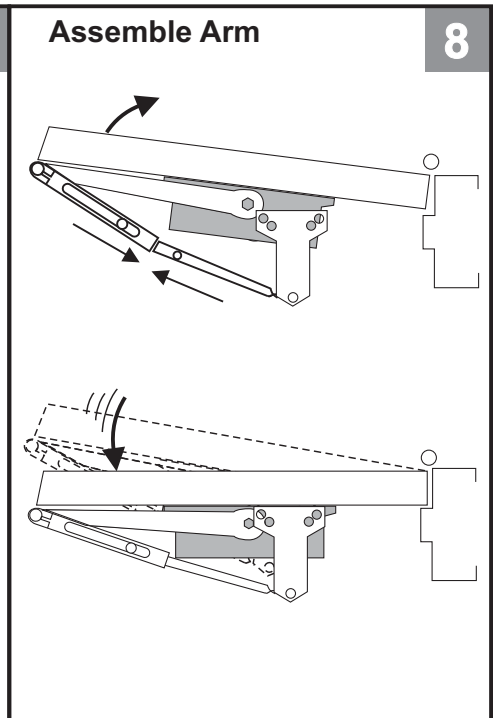
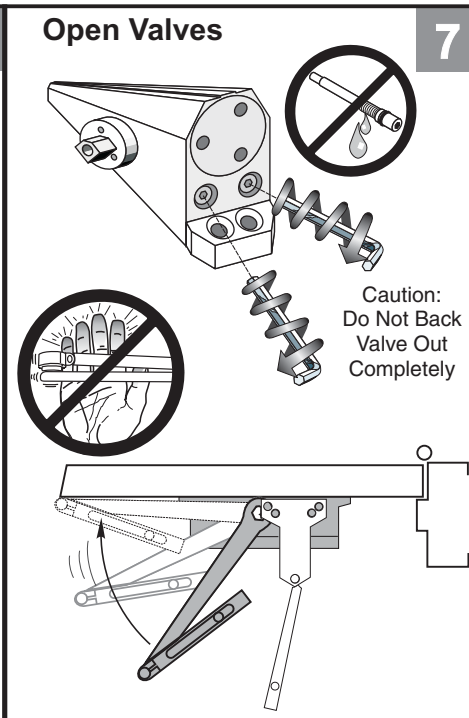
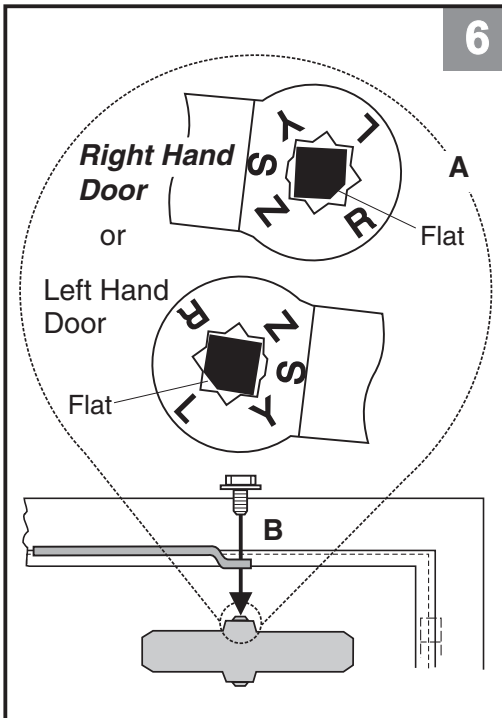


See Step 6 on Page 4

1600 Series

Non Hold Open Door Closers — Parallel Arm

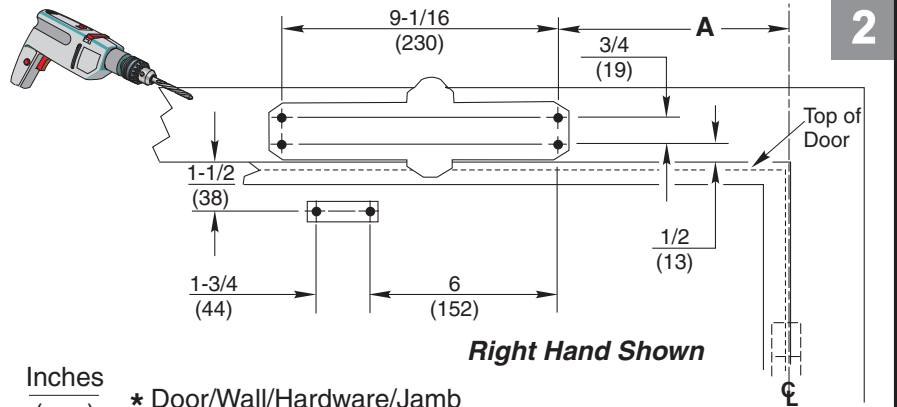
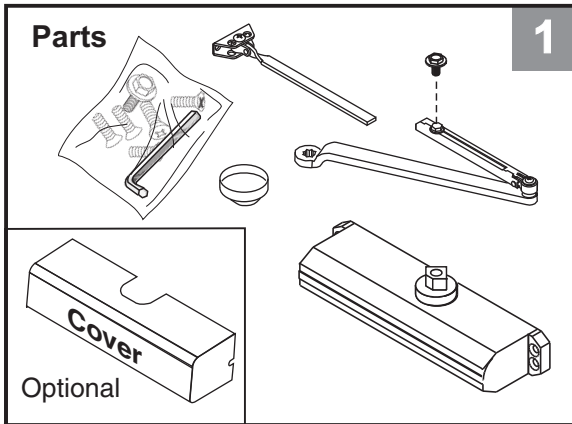
80-9316-2502-020 (12-09)



1600 Series

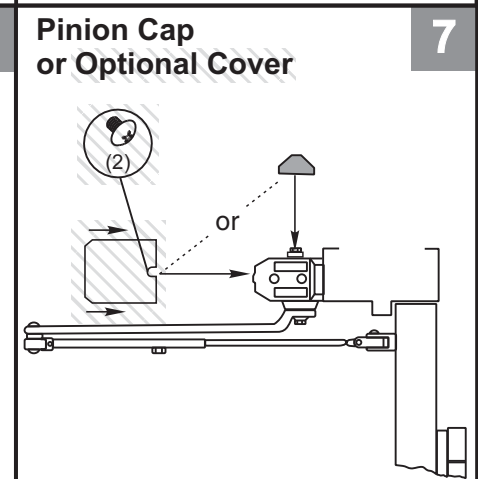
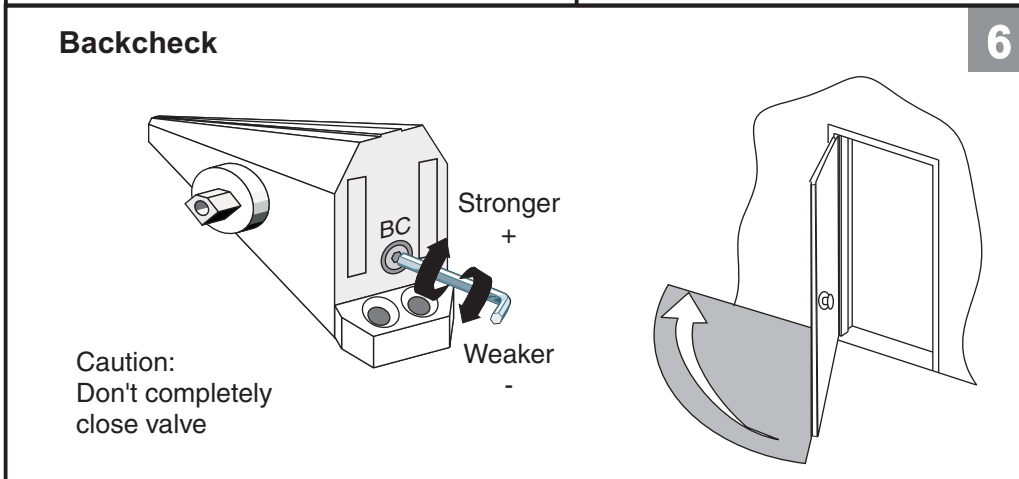
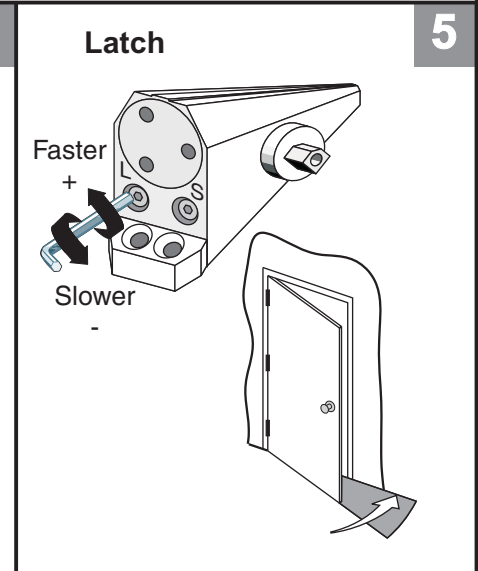
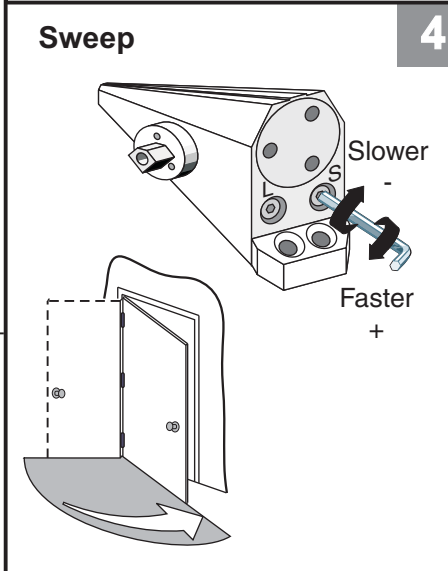
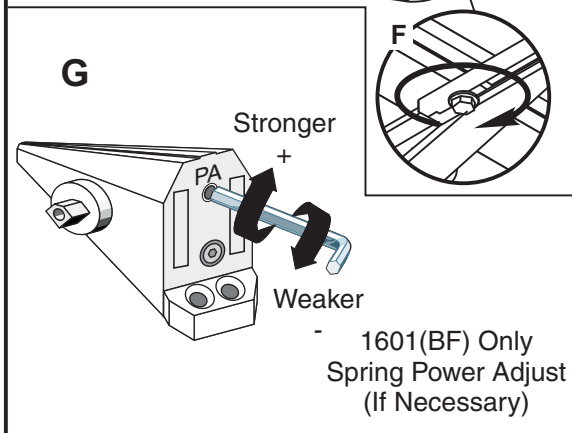
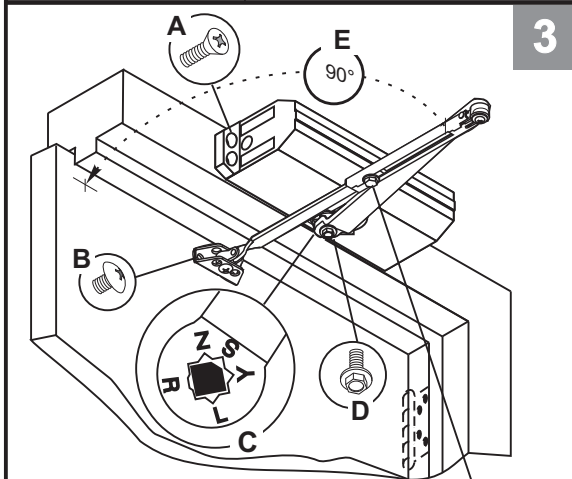
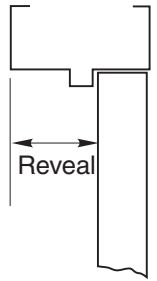
Non Hold Open Door Closers — Top Jamb Arm

80-9316-2502-020 (12-09)



Opening	Dimension "A"
To 100°	7-1/2 (191)
101° to 120°	6 (152)
*121° to 180°	3-1/2 (89)

A longer connecting rod is required for reveals greater than 3" (76)



1600 Series Adjustments

80-9316-2502-020 (12-09)

Norton® is a registered trademark of Yale Security Inc., an ASSA ABLOY Group company.
 Copyright © 2001, 2009 Yale Security Inc., an ASSA ABLOY Group company. All rights reserved.
 Reproduction in whole or in part without the express written permission of Yale Security Inc. is prohibited.



ASSA ABLOY

ASSA ABLOY, the global leader in door opening solutions

3000 Highway 74 East • Monroe, NC 28112

Tel: (877)-974-2255 • Fax: (800)-338-0965

www.nortondoorcontrols.com

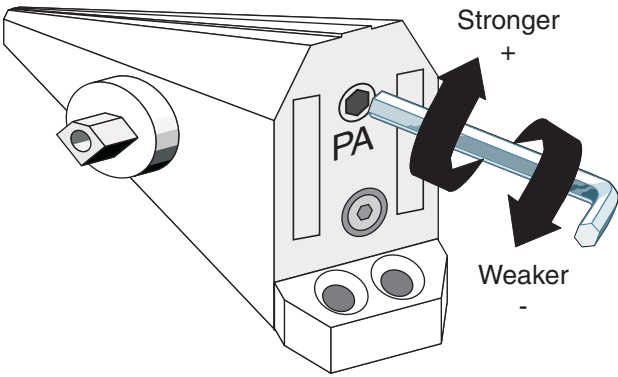
Sweep

Latch

Backcheck

(Use 1/8" Hex Wrench for these Adjustments)

Spring Power Adjust 1601 (BF) only



(Use 3/16" Hex Wrench for this Adjustment)

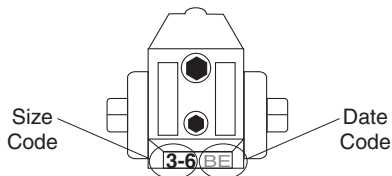
Adjustment Chart

	DOOR	TYPE OF INST.	*	Number of Turns Required MAXIMUM DOOR SIZE				
				34" (0.85M)	36" (0.90M)	40" (1.00M)	44" (1.10M)	48" (1.20M)
1601BF	INTERIOR	Regular Arm Top Jamb	FULL 360° TURNS OF 3/16 POWER ADJUSTMENT WRENCH	1	1	2	3	3
		Parallel Arm		2	2	3	4	5
	EXTERIOR	Regular Arm Top Jamb		5	6	8	NOT RECOMMENDED USE 1601	
		Parallel Arm		8	9	12		
1601	INTERIOR	Regular Arm Top Jamb	FULL 360° TURNS OF 3/16 POWER ADJUSTMENT WRENCH	2	4	6	9	11
		Parallel Arm		3	5	7	10	13
	EXTERIOR	Regular Arm Top Jamb		3	5	7	10	13
		Parallel Arm		5	7	10	14	16

*18 FULL (360°) TURNS MAXIMUM AVAILABLE

= 8 Turns As Shipped

To identify your model:



2=1602BC

3=1603BC

4=1604BC

5=1605BC

6=1606BC

3-6=1601

1-4=1601BF

Arm Placement in Shoe

