



# CLADDING CLIP INSTALLATION INSTRUCTIONS

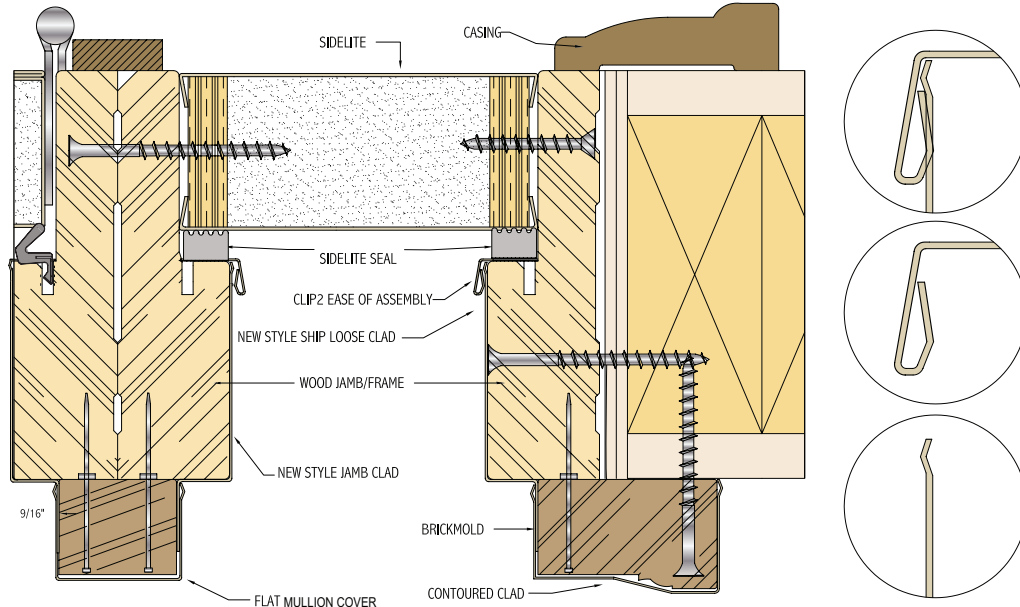
## Tools & Materials You Will Need:

• (1) Box #8 x 3" Phillips Flathead Installation Screws	• Caulking Gun
• Construction Adhesive	• Hammer and Brads - 3/4" or 1"
• Screw Gun	• ProVia Color-Matched Caulking or any High Quality Caulking in Accordance with ASTM C 920 Class 25

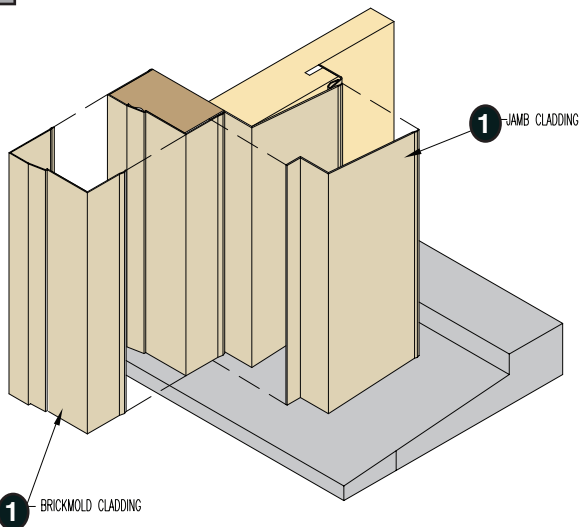
**REMEMBER: ALWAYS USE THE APPROPRIATE PERSONAL PROTECTIVE EQUIPMENT.**



Homes built before 1978 may contain lead paint. All replacement installations must comply with the U.S. EPA's Lead-Based Paint Renovation, Repair, and Painting Program (RRP Rule). Read more about the RRP Rule and lead-safe work practices, on the U.S. EPA's website at: [www.epa.gov/lead](http://www.epa.gov/lead)



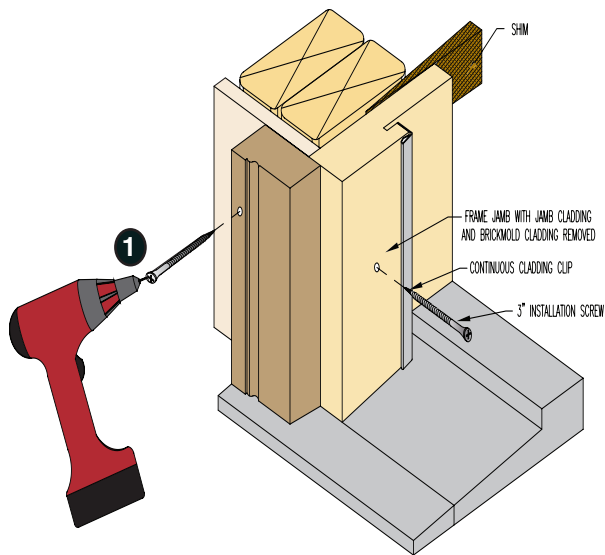
## 1 REMOVE BRICKMOLD CLADDING TO INSTALL ENTRY DOOR SYSTEM



**Step 1-** Remove Brickmold Cladding.

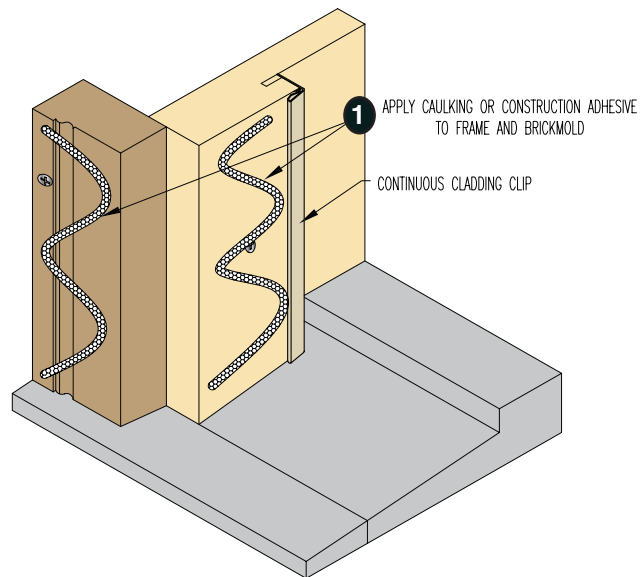
**Step 2-** Remove Jamb Cladding.

## 2 INSTALL ANCHORS



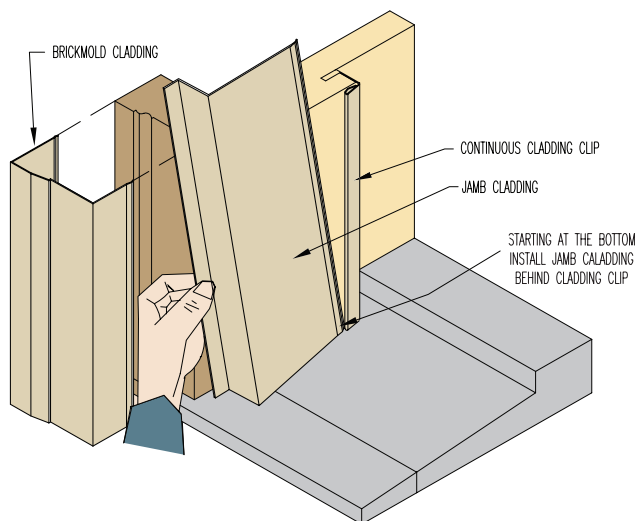
**Step 1-** Using 3" Installation Screw, install into jamb and brickmold.

## 3 APPLY CAULKING



**Step 1-** Apply adhesive to jamb and brickmold.

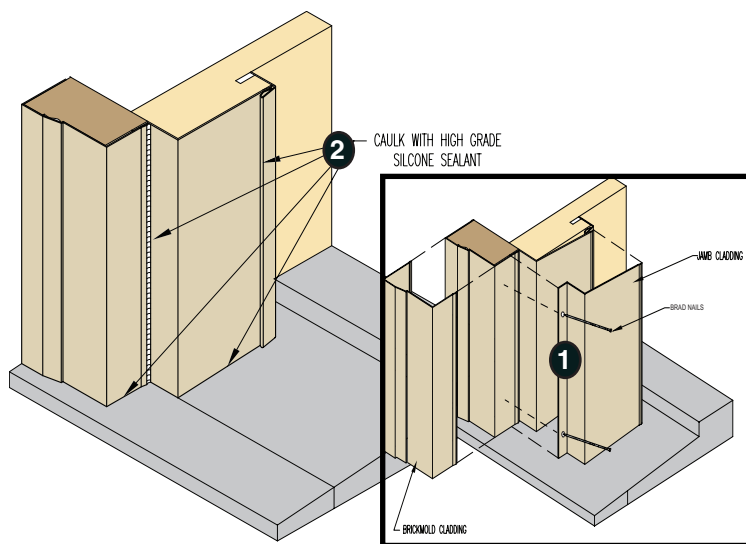
## 4 INSTALL CLADDING



**Step 1-** Install Jamb Cladding.

**Step 2-** Install Brickmold Cladding.

## 5 FASTEN & APPLY SEALANT



**Step 1-** Fasten cladding in several places with brad nails and hammer.

**Step 2-** Apply high grade silicone sealant to jamb and brickmold.