

VINYL WINDOW GLASS REPLACEMENT INSTRUCTIONS

This instruction sheet can be used for a vinyl or replacement window utilizing glazing bead.

Tools & Materials You Will Need:

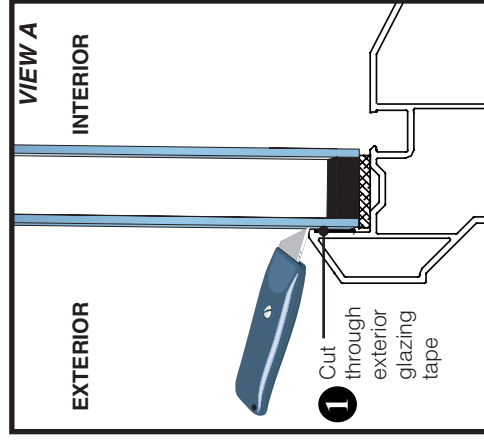
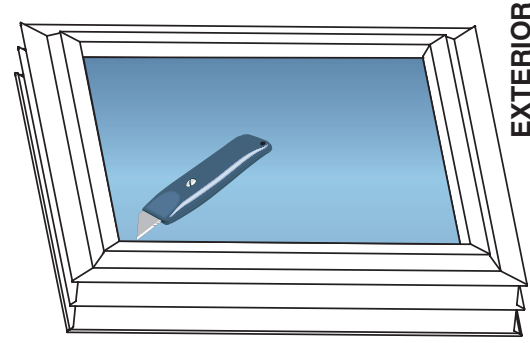
• Flat Putty Knife	• Isopropyl Rubbing Alcohol	• Clean, soft cloth	• Suction Cups for Glass Handling
• Utility Knife	• Silicone Sealant	• Soft Mallet	• Safety Gloves for Glass Handling

Installation Kit Contents:

- (1) Roll of New Glazing Tape at Appropriate Length

REMEMBER: ALWAYS USE THE APPROPRIATE PERSONAL PROTECTIVE EQUIPMENT.

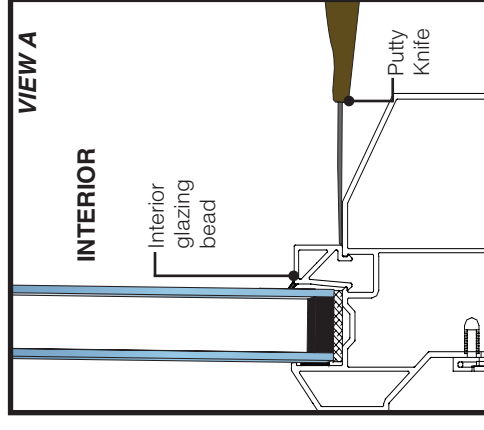
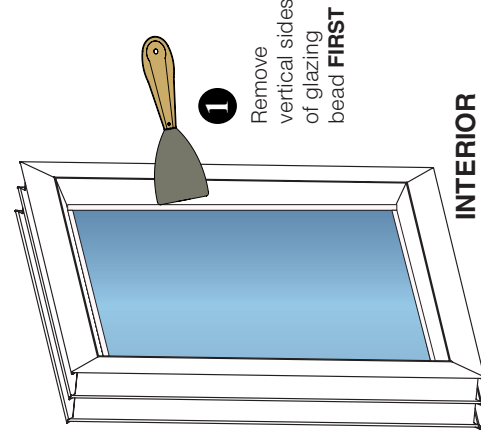
1 CUT EXTERIOR PERIMETER



Step 1:

With a sharp utility knife, cut through glazing tape around exterior perimeter between glass and frame (see illustration).

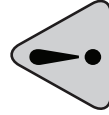
2 REMOVE INTERIOR GLAZING BEAD



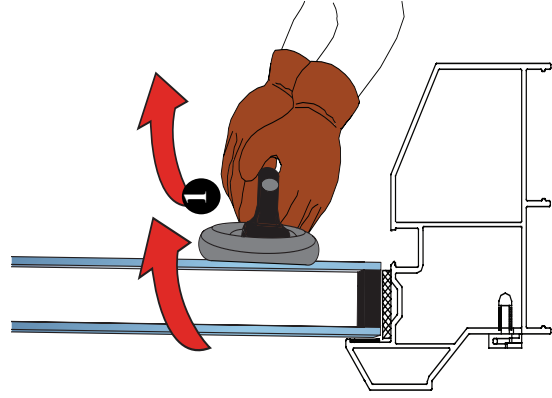
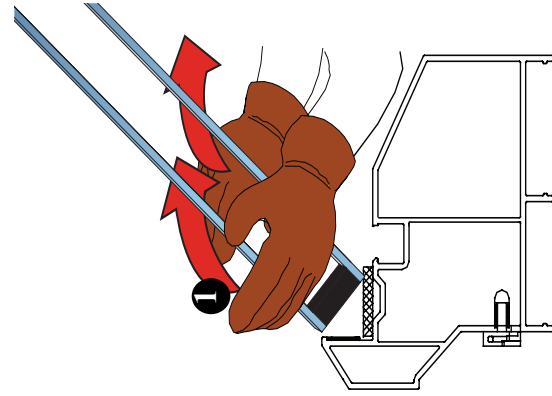
Step 1:

Using a flat putty knife and starting on a vertical side, remove the glazing bead from all four sides of the window (see illustration). Lay aside glazing bead as you will be re-using glazing bead in Procedure 8.

3 REMOVE INSULATED GLASS



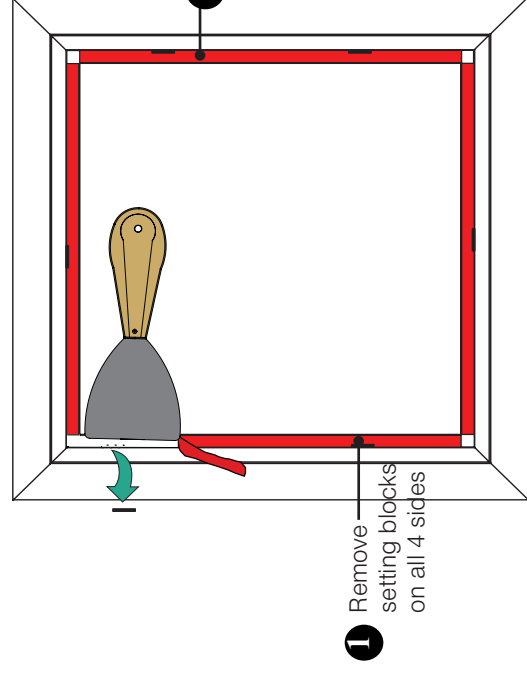
Important! To prevent injury, make sure safety gloves for glass handling are used. If you are replacing an IGU unit that is oversized, suction cups for glass handling and a two person team is highly recommend.



Step 1:

Carefully remove insulated glass unit either by hand or using glass suction cups.

4 REMOVE EXISTING GLAZING TAPE



1 Remove setting blocks on all 4 sides

2 Remove glazing tape on all 4 sides

Step 1:

Take note of the locations of the setting blocks inside the window frame and remove existing setting blocks and lay aside. You will be re-installing setting blocks in Step 6.

Step 2:

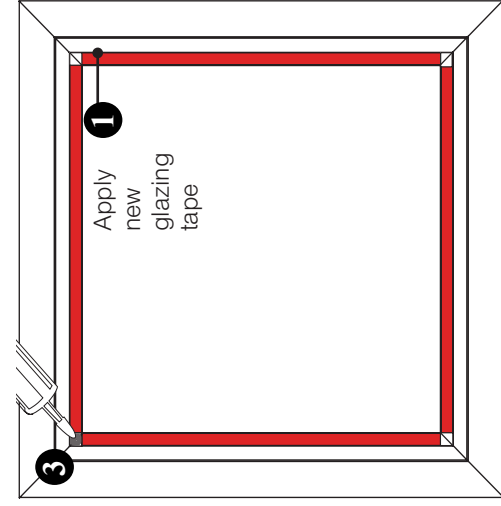
Remove all glazing tape residue around frame.

Step 3:

Wipe entire glazing tape area with Isopropyl Rubbing Alcohol and a soft cloth and allow the area to dry.

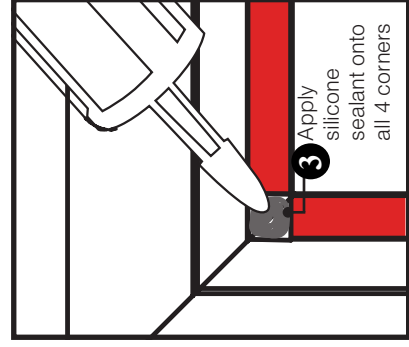
5

APPLY NEW GLAZING TAPE & SEALANT

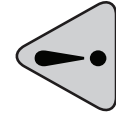


Step 1:

Apply new glazing tape to all 4 sides of window frame with release side facing you.



3 Apply silicone sealant onto all 4 corners



IMPORTANT! DO NOT OVERLAP GLAZING TAPE AT CORNERS.

Step 2:

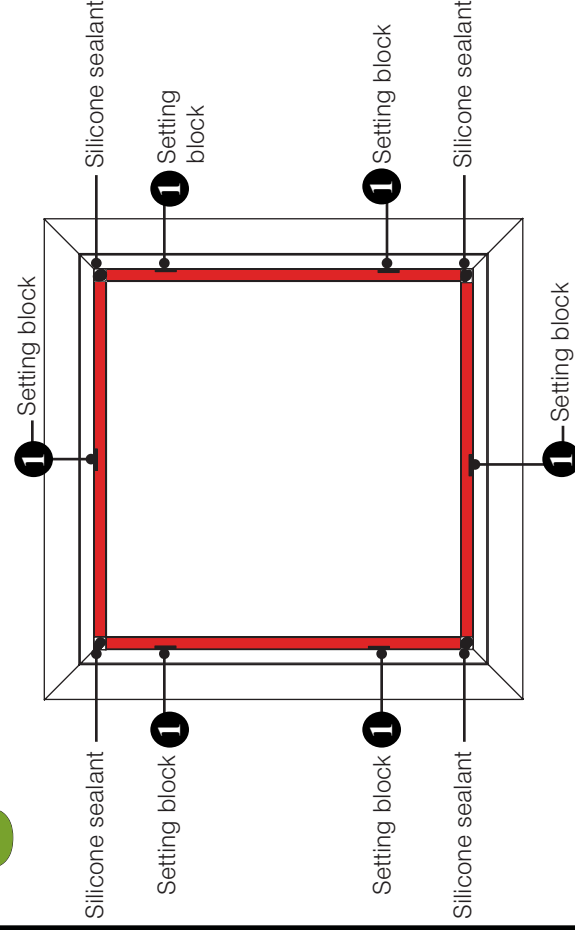
Remove backing from glazing tape.

Step 3:

Locate 4 corners of glazing tape where they meet and apply silicone.

6

RE-INSTALL SETTING BLOCKS



Step 1:

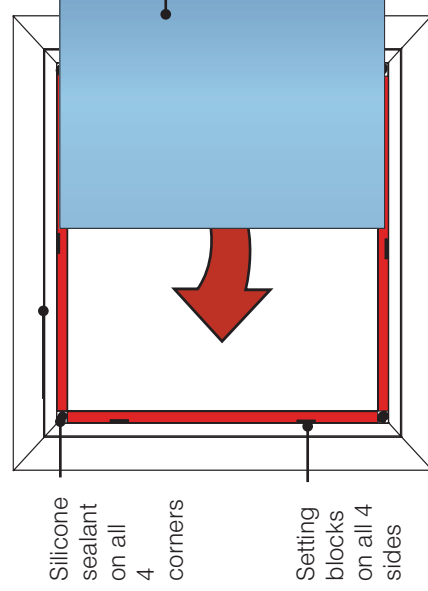
Re-install setting blocks.



IMPORTANT! the number of setting blocks depends on size of insulated glass unit. The above illustration is for illustrative purposes only.

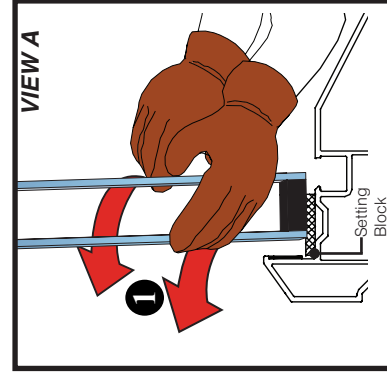
7

INSTALL NEW INSULATED GLASS



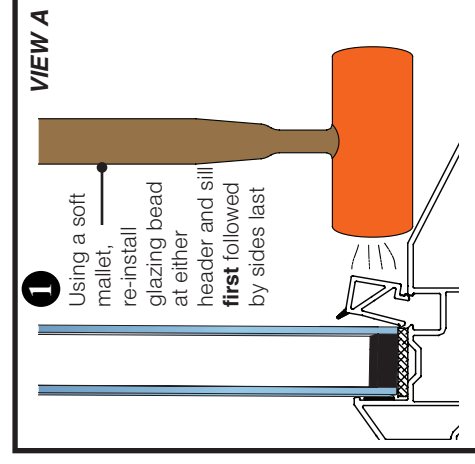
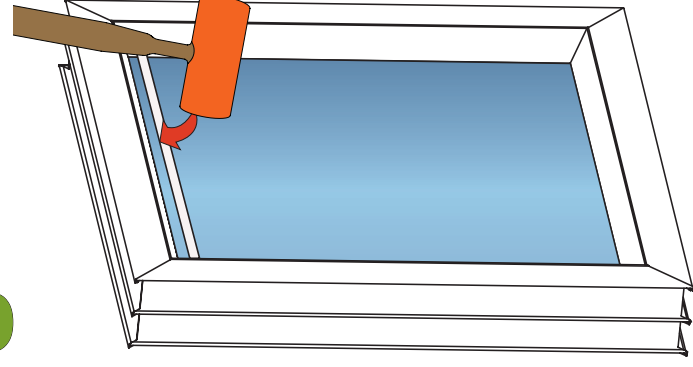
Step 1:

Making sure setting blocks are in place, carefully insert new insulated glass unit (see illustration).



8

RE-INSTALL GLAZING BEAD



Step 1:

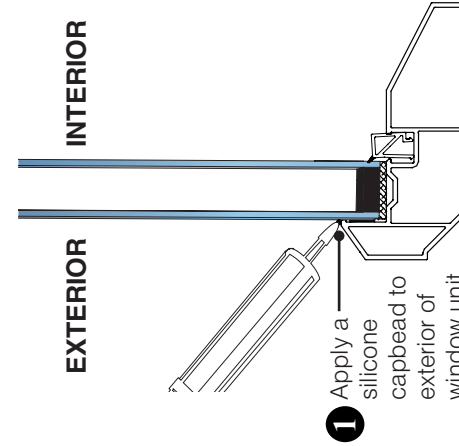
Starting at header or sill first, insert glazing bead by gently tapping bead into channel as illustrated.

Step 2:

Finish up by inserting glazing bead into the sides.

9

APPLY SILICONE



1

Apply a silicone capbead to exterior of window unit

Step 1:

Apply small capbead of silicone at sill area between glass and frame.

Version 1.1 - 02.08.16 - © 2016 ProVia - S.MKS-30294

ProVia
THE PROFESSIONAL WAY

2150 State Route 39
Sugarcreek, OH 44681
330.852.4711 877.735.2057 fax
provia.com