



INSTALLATION INSTRUCTIONS FOR SLIP-ON DRYWALL APPLICATION

Tools & Materials You Will Need:

• 1" Thick Wood Spreader	• Hammer	• Flathead Screwdriver
• Carpenter's Square	• Shims	• Long Carpenter's Level
• (1) box Type "S" Bugle Head Drywall Screws	• (1) box #8 x 1/2" Sheet Metal Screws	



IMPORTANT! If a threshold is to be installed, **DO NOT install until AFTER the steel frame is fully assembled and secured in opening.**



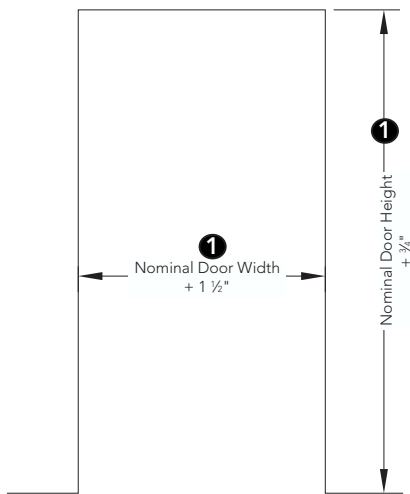
JOBSITE STORAGE: Store the frame off the ground on wood runners or skids. **DO NOT STORE** directly on ground. Cover the frames tarpaulin or plastic, ensuring that adequate ventilation is provided to eliminate moisture condensation.



Homes built before 1978 may contain lead paint. All replacement installations must comply with the U.S. EPA's Lead-Based Paint Renovation, Repair, and Painting Program (RRP Rule). Read more about the RRP Rule and lead-safe work practices, on the U.S. EPA's website at: www.epa.gov/lead

REMEMBER: ALWAYS USE THE APPROPRIATE PERSONAL PROTECTIVE EQUIPMENT.

1 PREPARE ROUGH OPENING

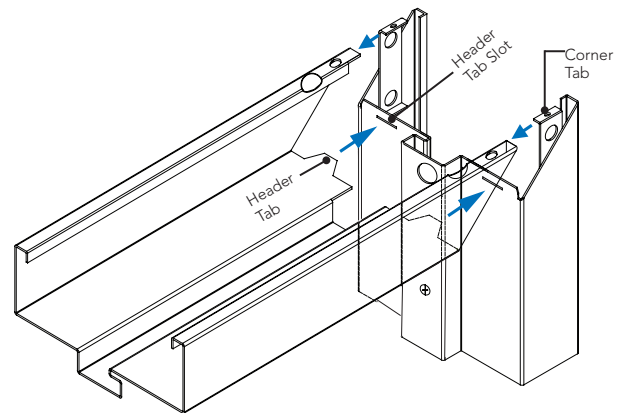
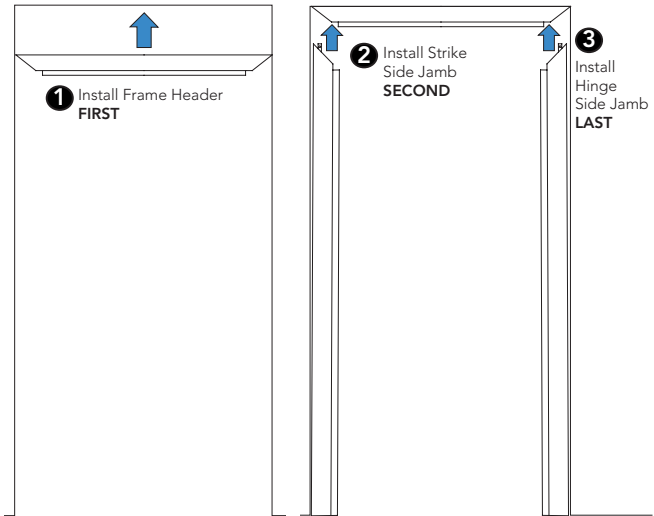


Step 1-

Check the rough opening in wall. It should equal the Door Nominal Width plus 1 1/2" and the Door Nominal Height plus 3/4".

For Example: A 36 x 80 Nominal Size Door should have a Rough Opening Size of 37 1/2" x 80 3/4"

2 ATTACH FRAME TO WALL



Step 1-

Insert Frame Header into the center/top of the opening.

Step 2-

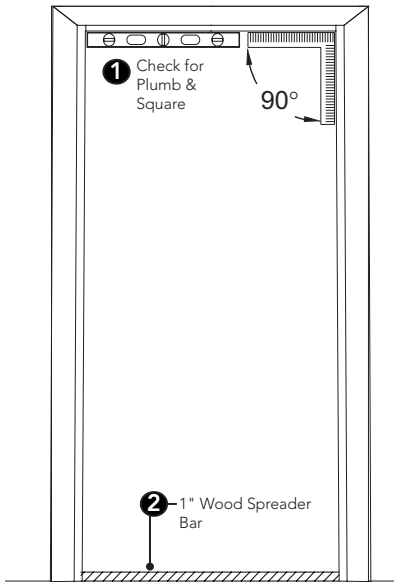
Install Strike Side Frame by sliding over the wall and engaging corner tabs inside the Header Drywall Return Channel at the top.

The header tabs should go through the header tab slots while you are pivoting the jamb into place (see illustration).

Step 3-

Proceed to installing the hinge side frame.

3 LEVEL AND SQUARE THE FRAME

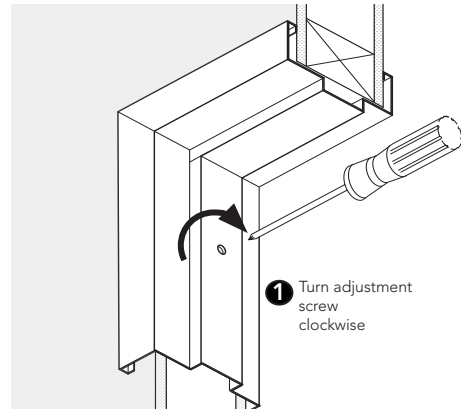


Step 1-
Using a level and a square, make sure the frame is plumb.

Adjust levelness of header by shimming under the frame sides.

Step 2-
Insert a 1" Wood Spreader Bar at the bottom to keep the frame square.

4 ADJUSTMENTS OF ANCHOR SCREWS



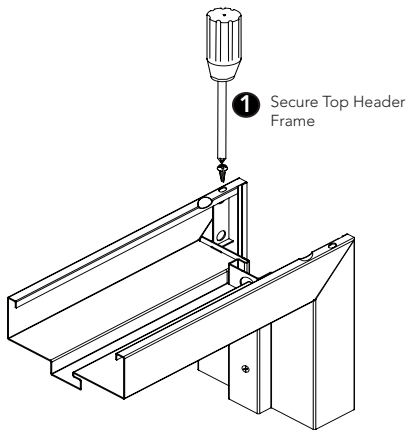
Step 1-
The Anchor Adjustment Screws are found close to the top of the frame sides.

Turn adjusting screws clockwise until compression anchor contacts wall studs.

Step 2-
Recheck level and square.

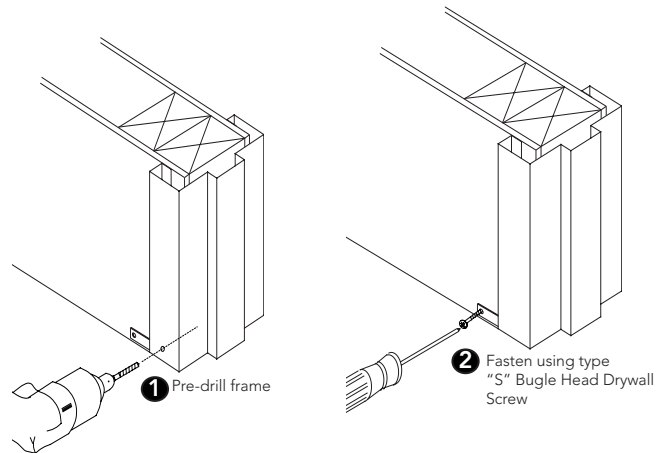
Step 3-
Adjust as needed.

5 SECURE TOP OF FRAME



Step 1-
Secure the top header frame with #8 x 1/2" Sheet Metal Screws into the 4 corner tabs found at the top of the frame sides.

6 FASTEN BASE OF SIDE JAMBS



Step 1-
Pre-drill the bottom of the frame sides inside and outside of the house, totalling 4 pre-drilled holes per frame.

Step 2-
Fasten the base jambs through the drilled holes with a type "S" Bugle Head Drywall Screw.



Contact your local recycling waste management center for waste disposal in your area. Always check local waste requirements and carefully dispose of waste in accordance with Federal and other regulations.