



INSTALLATION INSTRUCTIONS FOR STEEL FRAME - NEW MASONRY CONSTRUCTION

Tools & Materials You Will Need:

- | | |
|--------------------------|--------------------------|
| • 1" Thick Wood Spreader | • Long Carpenter's Level |
| • Carpenter's Square | • Shims |



JOB SITE STORAGE: Store frame off the ground on wood runners or skids. **DO NOT STORE** directly on the ground. Cover frames with tarpaulin or plastic, ensuring that adequate ventilation is provided to eliminate moisture condensation.



IMPORTANT! If a threshold is to be installed, **DO NOT install until AFTER the steel frame is fully assembled and secured in opening.**

When frames are fully grouted and/or when plaster or mortar contain "anti-freeze" agents, the inside of the frames should be coated with a bituminous, water-resistant paint by the installation contractor.

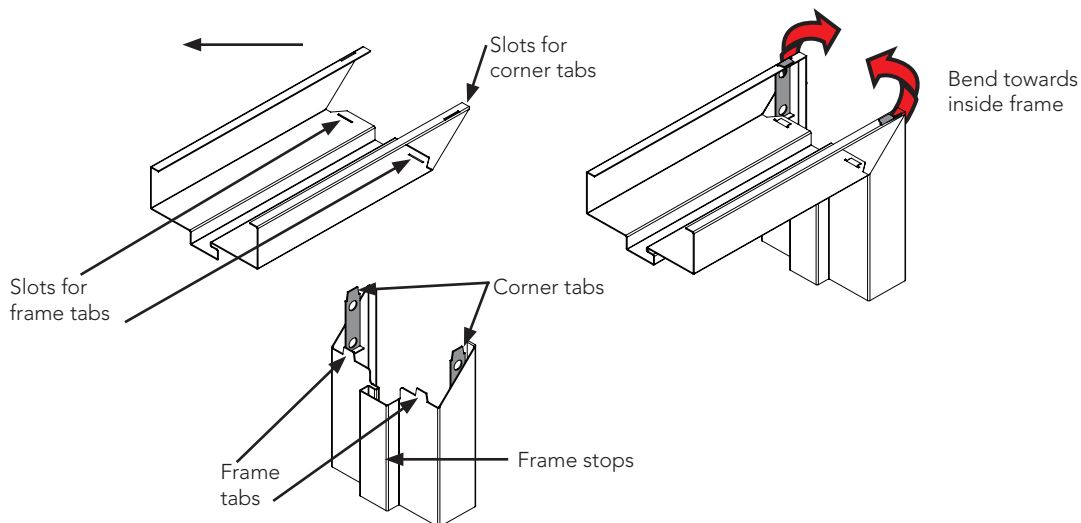
REMEMBER: ALWAYS USE THE APPROPRIATE PERSONAL PROTECTIVE EQUIPMENT.



Homes built before 1978 may contain lead paint. All replacement installations must comply with the U.S. EPA's Lead-Based Paint Renovation, Repair, and Painting Program (RRP Rule). Read more about the RRP Rule and lead-safe work practices, on the U.S. EPA's website at: www.epa.gov/lead

1

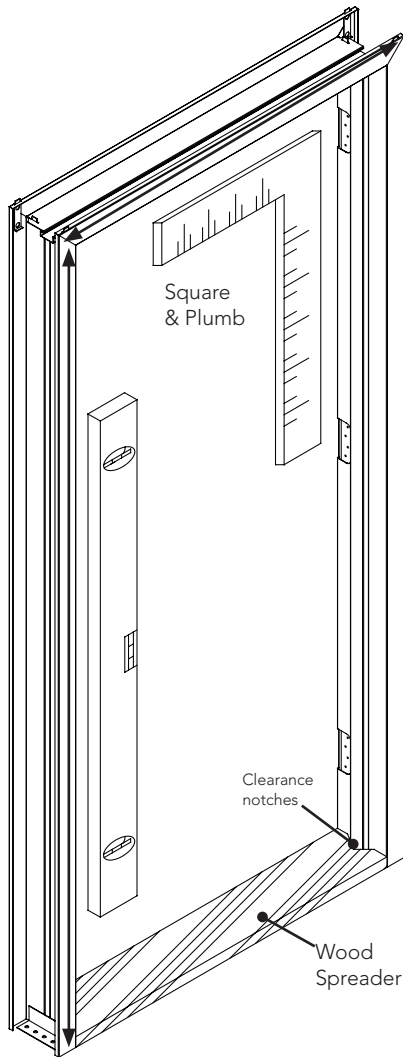
ASSEMBLY OF FRAME



Step 1- Bend corners of tabs towards inside of frame.

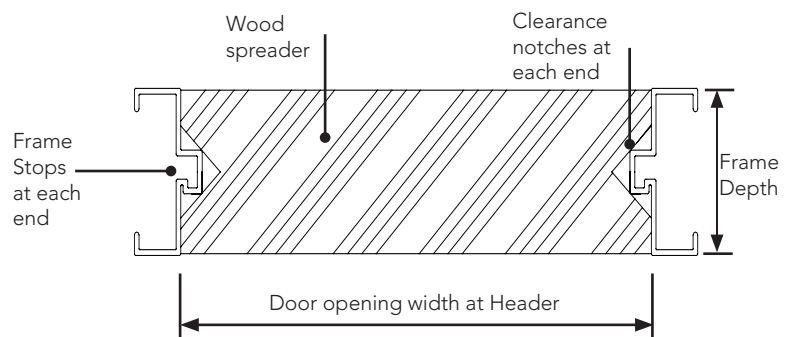
Step 2- Bend frame tabs towards outside of frame.

2 SQUARE & PLUMB FRAME



A typical wood spreader must be square and made from lumber with at least a 1" thickness.

Length of spreader = door opening width (at header)



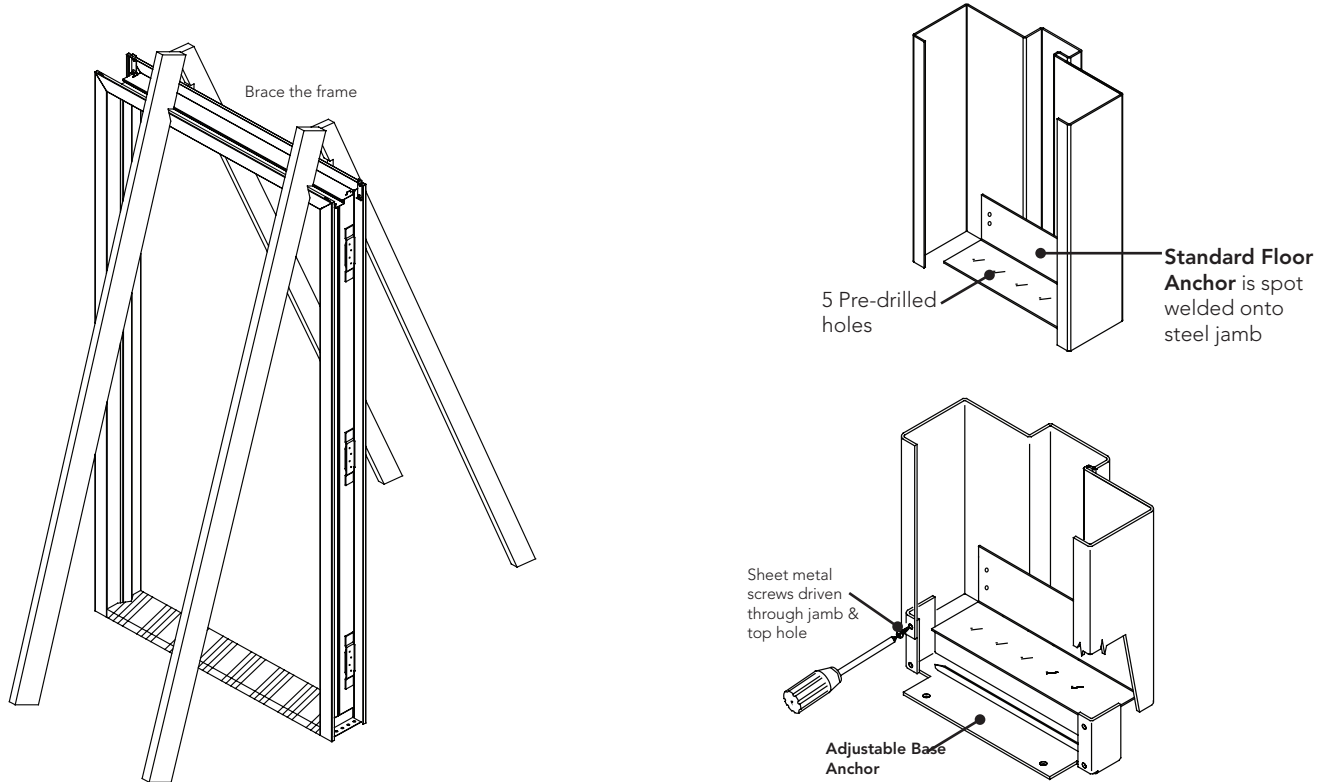
Step 1- Set frame in the desired location.

Step 2- Using a wood spreader, long carpenter's square and level, make sure the head is level and square and the sides are plumb. If necessary, place shims under frame sides.

Step 3- Cut clearance notches for frame stops as shown.

3

BRACING FRAME

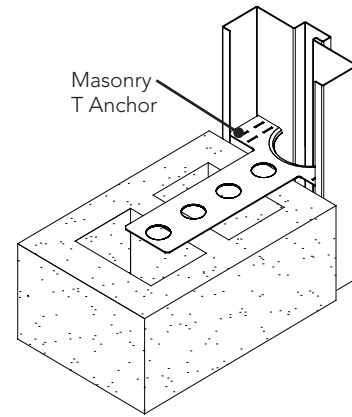
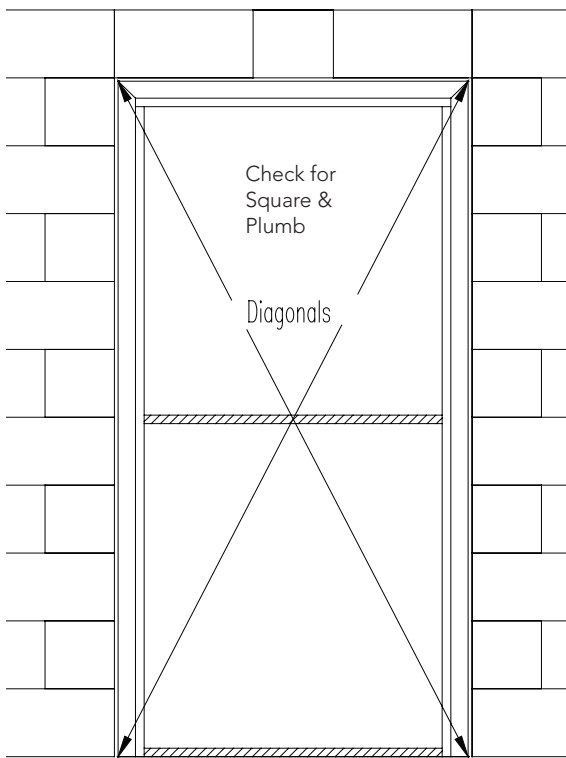


Step 1- With the frame plumb and the wood spreader in place, fasten frame sides to floor through the **Standard Floor Anchors** (see illustration) using the pre-drilled holes.

Step 2- Brace the frame as shown or shore to the ceiling (if installing indoors). **IMPORTANT!** DO NOT BRACE IN THE DIRECTION OF THE INTENDED WALL. If a height adjustment is needed for a threshold/sweep other than the standard ADA threshold, the **Adjustable Base Anchor** shown above can be used by following these steps:

1. Fasten sheet metal screws on the bottom hole creating a hole through the frame.
2. Then lift the frame and secure the sheet metal screws in the top hole of the anchor. This will give you a maximum vertical adjustment of 1".

4 TYING FRAME TO WALL



Step 1- Install Masonry T Anchors at hinge levels as wall is laid up. Use 3 anchors per side, 6 total for heights up to 7'-2". Add one more anchor per frame side for each additional 2 feet of height.

Step 2- Grout frame in the area of the anchors. A second spreader should be used at mid-point of opening to maintain the door opening dimension.

Step 3- Check plumb and square as wall progresses.



Make sure the difference between diagonals measured from opposite corners do not exceed 1/16".



Contact your local recycling waste management center for waste disposal in your area. Always check local waste requirements and carefully dispose of waste in accordance with Federal and other regulations.

Version 1.5 · 01.14.2022 · © 2022 ProVia · P-MK-61040