



# INSTALLATION INSTRUCTIONS FOR STEEL FRAME - EXISTING MASONRY CONSTRUCTION

## Tools & Materials You Will Need:

|   |                          |
|---|--------------------------|
| • 1" Thick Wood Spreader                    | • Long Carpenter's Level |
| • Carpenter's Square                        | • Shims                  |
| • Hammer                                    | • Flathead Screwdriver   |
| • Masonry Hammer Drill & Carbide Drill Bits | • 1 doz. 3/8" Dynabolts  |



**JOB SITE STORAGE:** Store frame off the ground on wood runners or skids. **DO NOT STORE** directly on the ground. Cover frames with tarpaulin or plastic, ensuring that adequate ventilation is provided to eliminate moisture condensation.

When frames are fully grouted and/or when plaster or mortar contain "anti-freeze" agents, the inside of the frames should be coated with a bituminous, water-resistant paint by the installation contractor.



**IMPORTANT!** If a threshold is to be installed, **DO NOT install until AFTER the steel frame is fully assembled and secured in opening.**

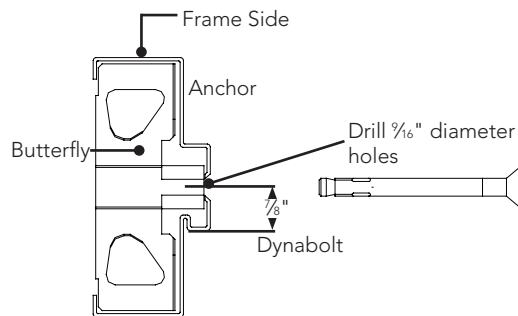
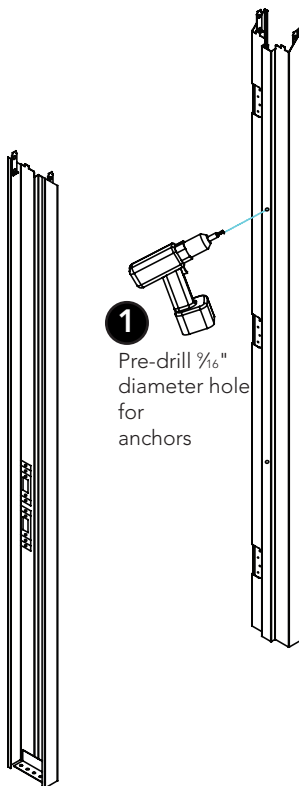
**REMEMBER: ALWAYS USE THE APPROPRIATE PERSONAL PROTECTIVE EQUIPMENT.**



Homes built before 1978 may contain lead paint. All replacement installations must comply with the U.S. EPA's Lead-Based Paint Renovation, Repair, and Painting Program (RRP Rule). Read more about the RRP Rule and lead-safe work practices, on the U.S. EPA's website at: [www.epa.gov/lead](http://www.epa.gov/lead)

## 1

### PREPARE FRAME FOR INSTALLATION

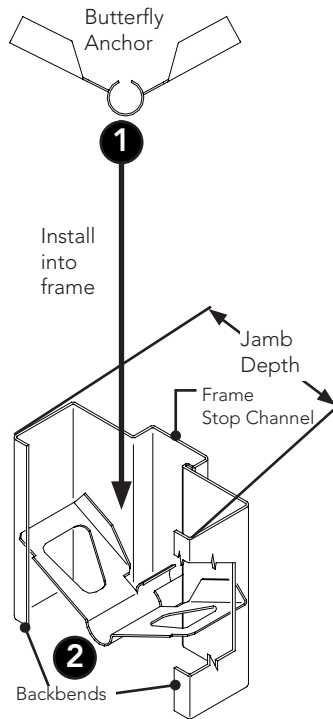


You will need two 3/8" Dynabolts to go through each side, with a total of 4 per frame.

#### Step 1-

Determine where anchors need to go into wall and pre-drill a 1/16" diameter hole on the frame stops centering at 7/8" (see illustration).

## 2 ATTACH BUTTERFLY ANCHORS



### Step 1-

Install existing opening butterfly anchors to align with holes (you drilled in Procedure 1 - Step 1) by compressing wings to match jamb depth.

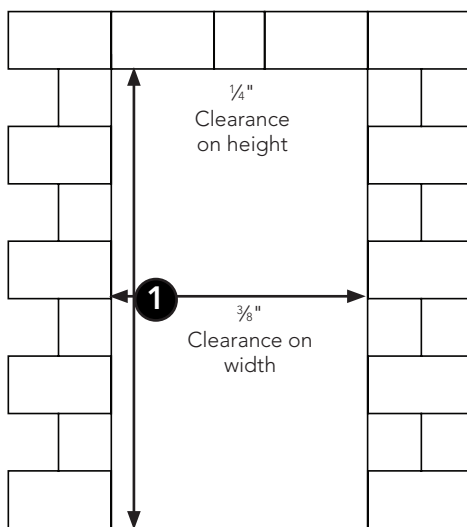
### Step 2-

Position one wing under backbend while placing tube in frame stop channel over previously made hole.

### Step 3-

Snap remaining wing under opposite backbend.

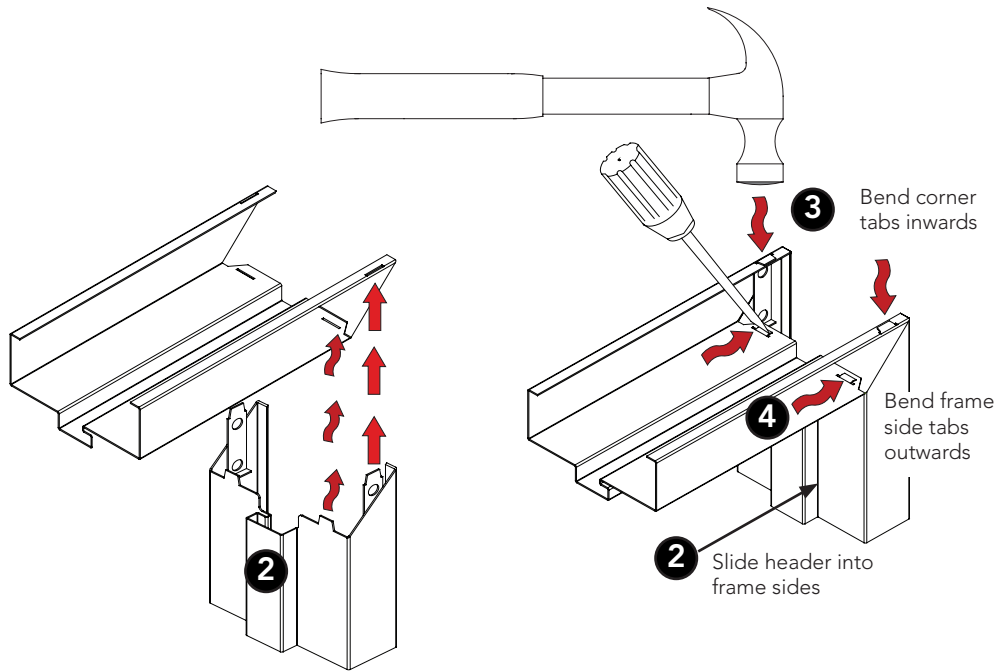
## 3 ASSEMBLE FRAME



### Step 1-

Check opening size - there should be 1/4" clearance on height and 3/8" clearance on width.

# 4 ASSEMBLE FRAME



## Step 2-

Assemble header to frame sides by taking header and aligning the head tabs and sliding into frame sides.

## Step 3-

Bend corner tabs toward inside of frame using a hammer.

## Step 4-

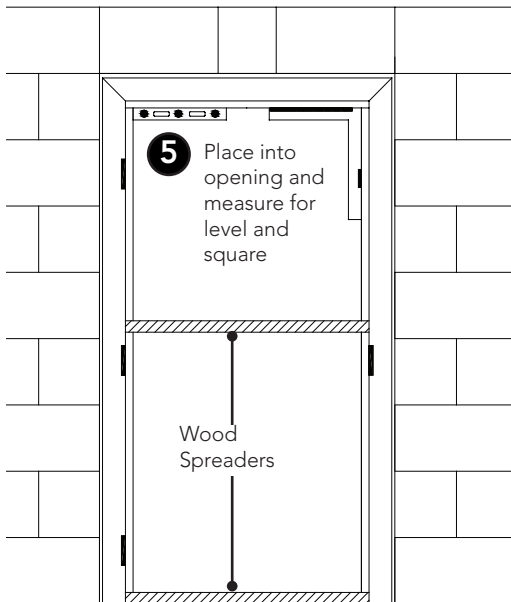
Bend frame tabs towards outside of frame sides using a flathead screwdriver or a hammer.

## Step 5-

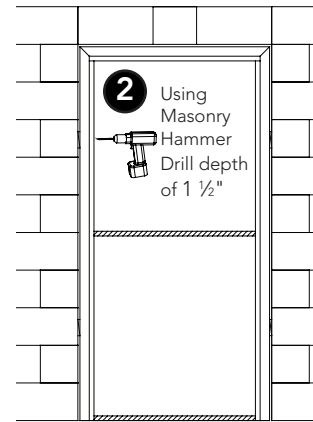
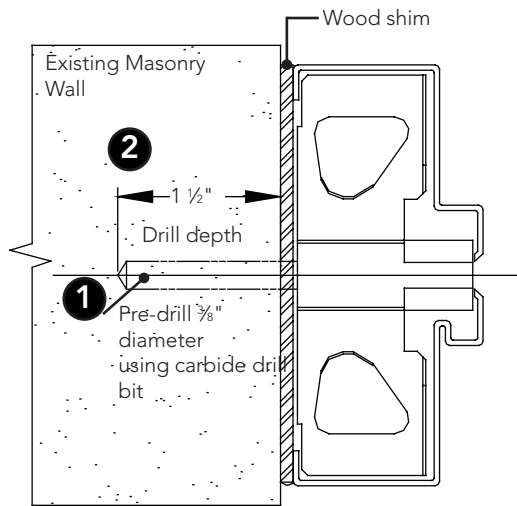
Place assembled frame into opening inside masonry wall.

Use tapered shims between anchors, wall and wood spreaders to maintain squareness and alignment of frame.

If possible, one of the frame sides should be butted tightly to the wall.



# 5 PREPARE OPENING FOR INSTALLATION



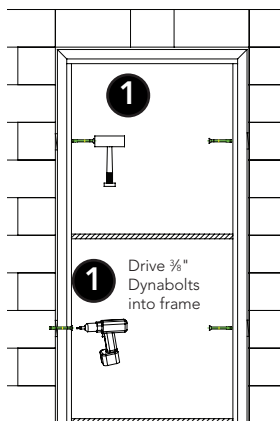
## Step 1-

Using a 3/8" diameter carbide drill bit, pre-drill holes through frame.

## Step 2-

Using a masonry hammer drill, drill at 1 1/2" depth and finish drilling holes into masonry wall.

# 6 SECURE FRAME INTO OPENING



## Step 1-

Drive Dynabolt through frame into wall using a hammer until bolt head is close to being flush with frame.

## Step 2-

Expand anchor by tightening head 2-3 turns.



Contact your local recycling waste management center for waste disposal in your area. Always check local waste requirements and carefully dispose of waste in accordance with Federal and other regulations.

Version 1.4 · 01.14.2022 · © 2022 ProVia · P-MK-61041

**ProVia**  
THE PROFESSIONAL WAY

2150 State Route 39, Sugarcreek, OH 44681  
Phone: 330.852.4711 • Fax: 877.735.2057

[provia.com](http://provia.com)